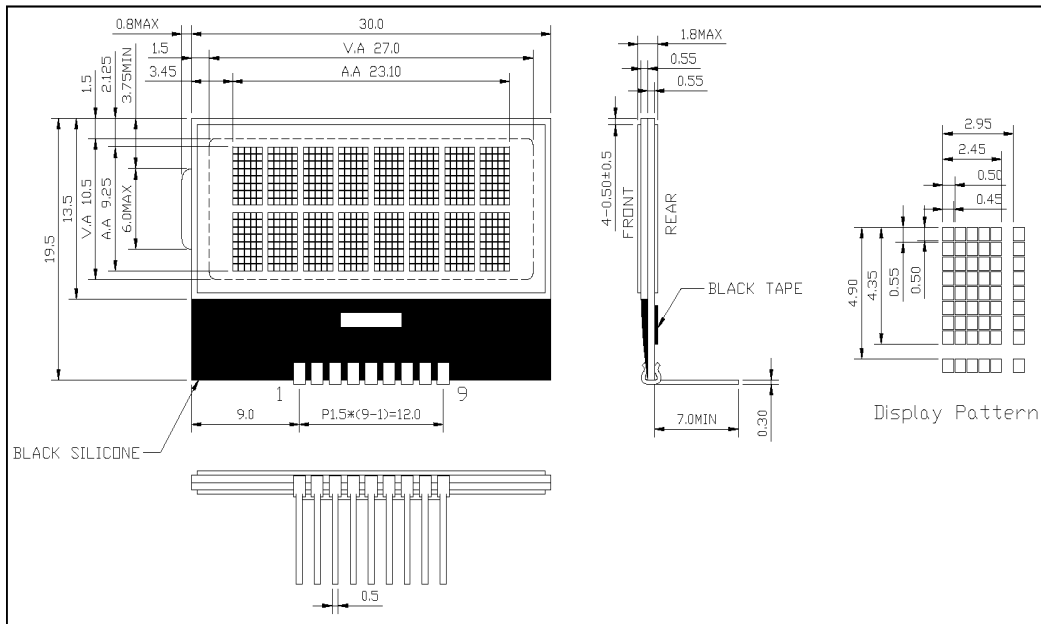


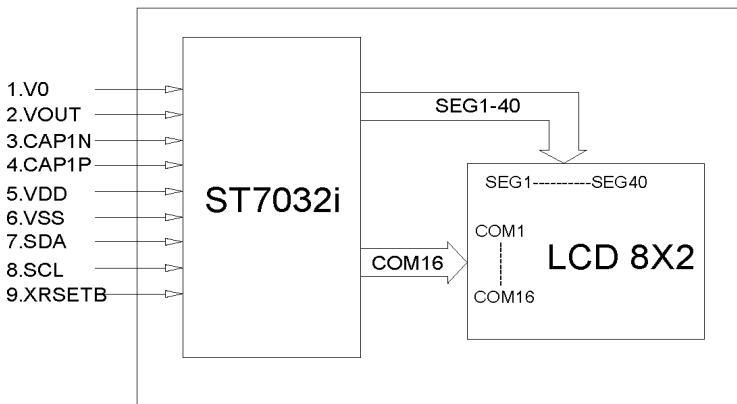
# I2C接続小型8文字×2行液晶

## AQM0802A-RN-GBW

- ★30mm×19.5mm (画面27mm×10.5mm) の超小型サイズです。
- ★マイコンとの接続は、信号線2本のI2Cインターフェイスです。
- ★液晶コントラストは、コマンドで設定しますので外付けVRが不要です。
- ★電源電圧3.3Vで、消費電流1mA



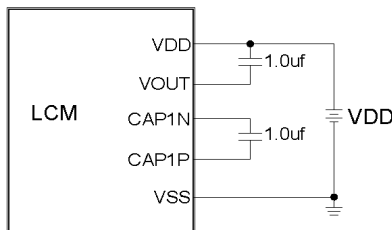
### BLOCK DIAGRAM



### PIN ASSIGNMENT

Pin No.	Symbol	Function
1	VO	Test pin for VLCD, leave it open
2	VOUT	DC/DC voltage converter output
3	CAPIN	For voltage booster circuit(VDD-VSS)
4	CAP1P	External capacitor about 0.1u~4.7uf
5	VDD	+3.3V
6	VSS	Ground
7	SDA	Serial data input
8	SCL	Serial clock input
9	XRSETB	Chip reset signal. Active when low

### POWER SUPPLY



### GENERAL SPECS

1. Display Format	8*2 Character
2. Power Supply	3.3V
3. Overall Module Size	30.0mm(W) x 19.5mm(H) x max 5.5mm(D)
1. Viewing Area(W*H)	27.0mm(W) x 10.5mm(H)
1. Dot Size (W*H)	0.45mm(W) x 0.50mm(H)
2. Dot Pitch (W*H)	0.50mm(W) x 0.55mm(H)
3. Character Size (W*H)	2.45mm(W) x 4.35mm(H)
4. Character Pitch (W*H)	2.95mm(W) x 4.90mm(H)
5. Viewing Direction	6:00 O'Clock
6. Driving Method	1/16Duty, 1/5Bias
7. Controller IC	ST7032i-0D or compatible
1. Display Mode	STN(Gray)/Positive/Reflective
1. Backlight Options	NC
1. Operating temperature	-20°C ~ 70°C
1. Storage temperature	-30°C ~ 80°C
2. RoHS	RoHS Compliant

### ABSOLUTE MAXIMUM RATINGS

Item	Symbol	Min	Typ	Max	Unit
Operating temperature	Top	-20	-	70	°C
Storage temperature	Tst	-30	-	80	°C
Input voltage	Vin	Vss	-	Vdd	V
Supply voltage for logic	Vdd- Vss	2.7	-	5.5	V
Supply voltage for LCD drive	Vdd- Vo	3.0	-	7.0	V

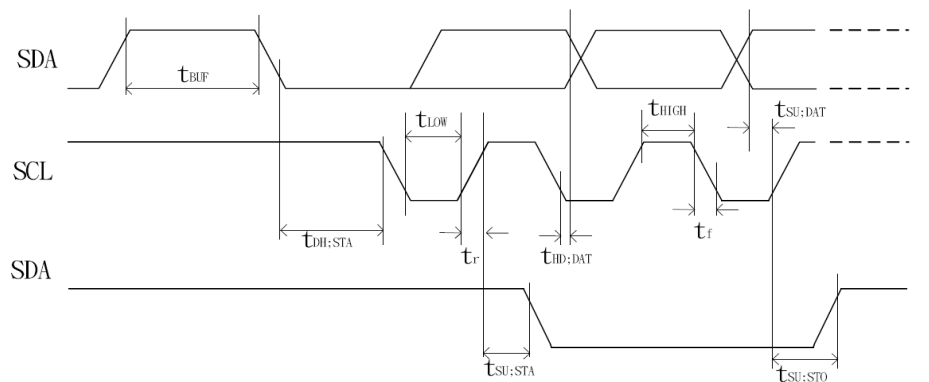
### Electrical Characteristics Of LCM

Item	Symbol	Condition	Min	Typ	Max	Unit	
Power Supply Voltage	Vdd	25°C	3.1	3.3	3.5	V	
Power Supply Current	Idd	Vdd=3.3V	--	0.5	1.0	mA	
Input voltage (high)	Vih	Pins:(SDA,SCL,XRSETB), Vdd=3.3V	0.8Vdd	--	Vdd	V	
Input voltage (low)	Vil		0	--	0.2Vdd	V	
Recommended Driving Voltage	LC	Vdd -Vo	-20°C	4.6	4.8	5.0	V
			25°C	4.3	4.5	4.7	
			70°C	4.0	4.2	4.4	

### CHARACTER PATTERNS

bs-b4 bs-bo	0000	0001	0010	0011	0100	0101	0110	0111	1000	1001	1010	1011	1100	1101	1110	1111
0000	CG RAM															
0001	CG RAM															
0010	CG RAM															
0011	CG RAM															
0100	CG RAM															
0101	CG RAM															
0110	CG RAM															
0111	CG RAM															
1000	CG RAM															
1001	CG RAM															
1010	CG RAM															
1011	CG RAM															
1100	CG RAM															
1101	CG RAM															
1110	CG RAM															
1111	CG RAM															

### I2C interface TIMING CHARACTERISTICS



(Ta = -30°C to 85°C)

Item	Signal	Symbol	Condition	VDD=2.7 to 4.5V Rating		VDD=4.5 to 5.5V Rating		Units
				Min.	Max.	Min.	Max.	
SCL clock frequency	SCL	fSCLK	—	DC	400	DC	400	KHz
SCL clock low period	SCL	tLOW	—	1.3	—	1.3	—	us
SCL clock high period	SCL	tHIGH	—	0.6	—	0.6	—	us
Data set-up time	SI	tSU:DAT	—	180	—	100	—	ns
Data hold time	SI	tHD:DAT	—	0	0.9	0	0.9	us
SCL,SDA rise time	SCL, SDA	tR	—	20+0.1Cb	300	20+0.1Cb	300	ns
SCL,SDA fall time	SCL, SDA	tF	—	20+0.1Cb	300	20+0.1Cb	300	ns
Capacitive load represent by each bus line		Cb	—	—	400	—	400	pf
Setup time for a repeated START condition	SI	tSU:STA	—	0.6	—	0.6	—	us
Start condition hold time		tHD:STA	—	0.6	—	0.6	—	us
Setup time for STOP condition		tSU:STO	—	0.6	—	0.6	—	us
Bus free time between a Stop and START condition	SCL	tBUF	—	1.3	—	1.3	—	us

### DISPLAY INSTRUCTION TABLE

Instruction	Instruction Code										Description	Instruction Execution Time		
	RS	R/W	DB7	DB6	DB5	DB4	DB3	DB2	DB1	DB0		OSC=380KHz	OSC=540KHz	OSC=700KHz
Clear Display	0	0	0	0	0	0	0	0	0	1	Write "20H" to DDRAM, and set DDRAM address to "00H" from AC	1.08 ms	0.76 ms	0.59 ms
Return Home	0	0	0	0	0	0	0	0	1	x	Set DDRAM address to "00H" from AC and return cursor to its original position if shifted. The contents of DDRAM are not changed.	1.08 ms	0.76 ms	0.59 ms
Entry Mode Set	0	0	0	0	0	0	0	1	I/D	S	Sets cursor move direction and specifies display shift. These operations are performed during data write and read.	26.3 us	18.5 us	14.3 us
Display ON/OFF	0	0	0	0	0	0	1	D	C	B	D=1:entire display on C=1:cursor on B=1:cursor position on	26.3 us	18.5 us	14.3 us
Function Set	0	0	0	0	1	DL	N	DH	*0	IS	DL: interface data is 8/4 bits N: number of line is 2/1 DH: double height font IS: instruction table select	26.3 us	18.5 us	14.3 us
Set DDRAM address	0	0	1	AC6	AC5	AC4	AC3	AC2	AC1	AC0	Set DDRAM address in address counter	26.3 us	18.5 us	14.3 us
Read Busy flag and address	0	1	BF	AC6	AC5	AC4	AC3	AC2	AC1	AC0	Whether during internal operation or not can be known by reading BF. The contents of address counter can also be read.	0	0	0
Write data to RAM	1	0	D7	D6	D5	D4	D3	D2	D1	D0	Write data into internal RAM (DDRAM/CGRAM/ICONRAM)	26.3 us	18.5 us	14.3 us
Read data from RAM	1	1	D7	D6	D5	D4	D3	D2	D1	D0	Read data from internal RAM (DDRAM/CGRAM/ICONRAM)	26.3 us	18.5 us	14.3 us

Note \*: this bit is for test command, and must always set to "0"

### Instruction table 0 (IS=0)

Cursor or Display Shift	0	0	0	0	0	1	S/C	R/L	x	x	S/C and R/L: Set cursor moving and display shift control bit, and the direction, without changing DDRAM data.	26.3 us	18.5 us	14.3 us
Set CGRAM	0	0	0	1	AC5	AC4	AC3	AC2	AC1	AC0	Set CGRAM address in address counter	26.3 us	18.5 us	14.3 us

### Instruction table 1 (IS=1)

Internal OSC frequency	0	0	0	0	0	1	BS	F2	F1	F0	BS=1:1/4 bias BS=0:1/5 bias F2~F0: adjust internal OSC frequency for FR frequency.	26.3 us	18.5 us	14.3 us
Set ICON address	0	0	0	1	0	0	AC3	AC2	AC1	AC0	Set ICON address in address counter.	26.3 us	18.5 us	14.3 us
Power/ICON control/Contrast set	0	0	0	1	0	1	Ion	Bon	C5	C4	Ion: ICON display on/off Bon: set booster circuit on/off C5,C4: Contrast set for internal follower mode.	26.3 us	18.5 us	14.3 us
Follower control	0	0	0	1	1	0	Fon	Rab2	Rab1	Rab0	Fon: set follower circuit on/off Rab2~0: select follower amplified ratio.	26.3 us	18.5 us	14.3 us
Contrast set	0	0	0	1	1	1	C3	C2	C1	C0	Contrast set for internal follower mode.	26.3 us	18.5 us	14.3 us

■データとコマンドのWRITE方法■

LCDに対しては、書き込み(WRITE)のみが出来ます。読み込み(READ)は、出来ません。(I2CのACKはあります)。また、Busyフラグ、内部のDDRAMアドレスカウンタは、読み取ることが出来ません。

スレーブアドレスは、0x7Cです。(アドレス0111110+0(RW))  
コントロールバイトで「データ、コマンドの指定」RSと、「連続データ最終データの指定」Coを送信します。  
コマンドの場合RS=0、データはRS=1になります。  
データを複数送る場合Co=1で、最終データはCo=1です。

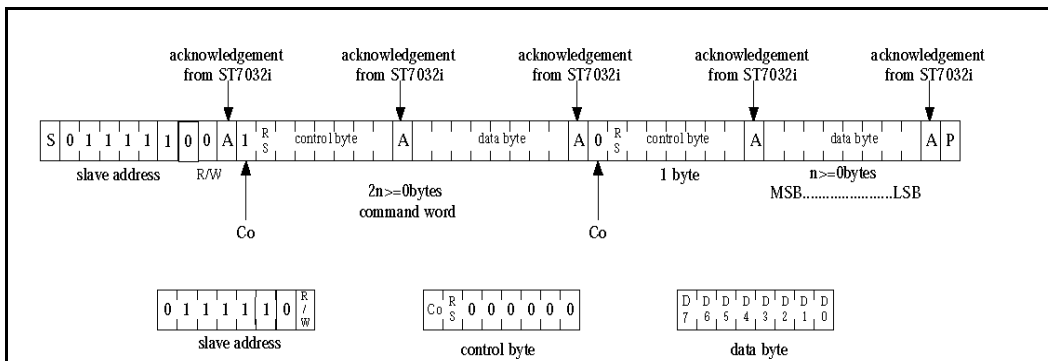


Figure 5. 2-line Interface protocol

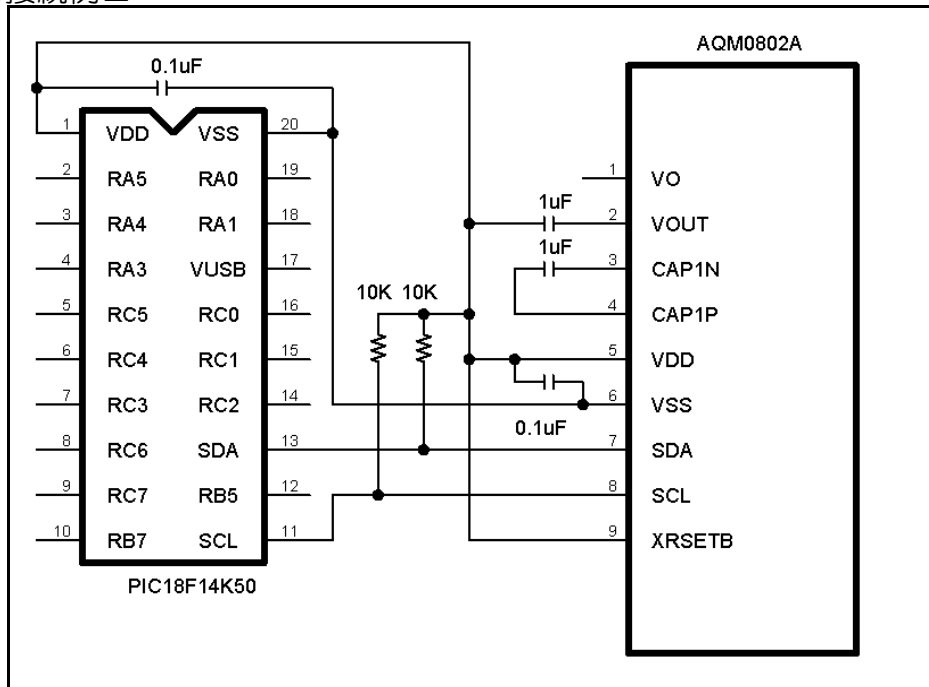
Co	0	Last control byte to be sent. Only a stream of data bytes is allowed to follow. This stream may only be terminated by a STOP condition.
Co	1	Another control byte will follow the data byte unless a STOP condition is received.

RS	R/W	Operation
L	L	Instruction Write operation (MPU writes Instruction code into IR)
H	L	Data Write operation (MPU writes data into DR)

■使い方■

- 基本的なコマンドは、一般的なSC1602と同じです。
- コントラストは、外付けVRではなく、拡張コマンドで設定します。設定前は、表示ができません。(■の連続も出ません。)
- コントラスト調整などの拡張コマンド(前頁DISPLY INSTRUCTION TABLEのIS=1の表)が追加されています。拡張コマンドを使用する場合は、「Function Set」で「IS=1」に指定します。拡張コマンド使用後は、「Function Set」で「IS=0」に戻します。
- I2C端子のSDA、SCLは外部でプルアップする必要があります。
- リセット端子XRSETBは、通常VDDに接続します。電源立ち上がり時間などでうまくリセットされない場合は、マイコンI/Oに接続しマイコン自身のタイミングでリセットすると、良いです。
- VOOUT(2番ピン)、CAP1NとCAP1P(3番ピンと4番ピン)には、コンデンサを付ける必要があります。VOOUT 1uF CAP1N CAP1P 0.1~4.7uF
- コントラスト調整は、拡張コマンド「Power/ICONcontrol/Contrast set」のC5、C4と「Contrast set」のC3、C2、C1、C0で64段階で設定します。VDD=3Vの場合、C5=1,C4=0,C3=0,C2=0,C1=0,C0=0程度です。

■接続例■

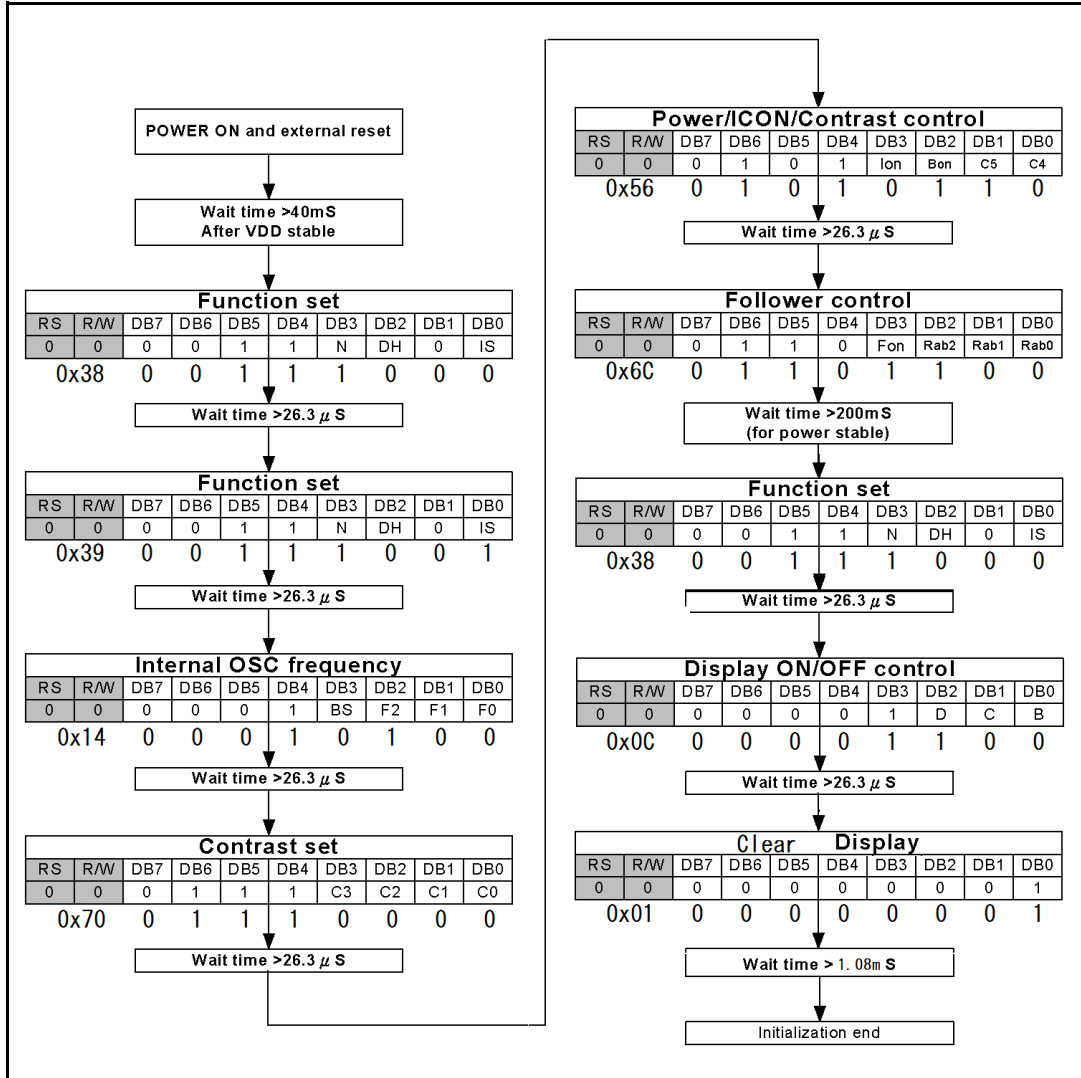


■液晶表示 DDRAMアドレス■

1行目	0x00	0x01	0x02	0x03	0x04	0x05	0x06	0x07
2行目	0x40	0x41	0x42	0x43	0x44	0x45	0x46	0x47

★コントローラIC ST7032iの詳細な資料は、弊社ホームページのAQM0802のページに参考pdf資料がございます。

■初期設定例■



■ Instruction Description

● Clear Display

RS	R/W	DB7	DB6	DB5	DB4	DB3	DB2	DB1	DB0
0	0	0	0	0	0	0	0	0	1

Clear all the display data by writing "20H" (space code) to all DDRAM address, and set DDRAM address to "00H" into AC (address counter). Return cursor to the original status, namely, bring the cursor to the left edge on first line of the display. Make entry mode increment (I/D = "1").

● Return Home

RS	R/W	DB7	DB6	DB5	DB4	DB3	DB2	DB1	DB0
0	0	0	0	0	0	0	0	1	X

Return Home is cursor return home instruction. Set DDRAM address to "00H" into the address counter. Return cursor to its original site and return display to its original status, if shifted. Contents of DDRAM do not change.

● Entry Mode Set

RS	R/W	DB7	DB6	DB5	DB4	DB3	DB2	DB1	DB0
0	0	0	0	0	0	0	1	I/D	S

Set the moving direction of cursor and display.

> I/D : Increment / decrement of DDRAM address (cursor or blink)

When I/D = "High", cursor/blink moves to right and DDRAM address is increased by 1. When I/D = "Low", cursor/blink moves to left and DDRAM address is decreased by 1. \* CGRAM operates the same as DDRAM, when read from or write to CGRAM.

> S : Shift of entire display

When DDRAM read (CGRAM read/write) operation or S = "Low", shift of entire display is not performed. If S = "High" and DDRAM write operation, shift of entire display is performed according to I/D value (I/D = "1": shift left, I/D = "0": shift right).

S	I/D	Description
H	H	Shift the display to the left
H	L	Shift the display to the right

● Display ON/OFF

RS	R/W	DB7	DB6	DB5	DB4	DB3	DB2	DB1	DB0
0	0	0	0	0	0	1	D	C	B

Control display/cursor/blink ON/OFF 1 bit register.

> D : Display ON/OFF control bit

When D = "High", entire display is turned on. When D = "Low", display is turned off, but display data is remained in DDRAM.

> C : Cursor ON/OFF control bit

When C = "High", cursor is turned on. When C = "Low", cursor is disappeared in current display, but I/D register remains its data.

> B : Cursor Blink ON/OFF control bit

When B = "High", cursor blink is on, that performs alternate between all the high data and display character at the cursor position. When B = "Low", blink is off.

● Cursor or Display Shift

RS	R/W	DB7	DB6	DB5	DB4	DB3	DB2	DB1	DB0
0	0	0	0	0	1	S/C	R/L	X	X

> S/C : Screen/Cursor select bit

When S/C="High", Screen is controlled by R/L bit. When S/C="Low", Cursor is controlled by R/L bit.

> R/L : Right/Left

When R/L="High", set direction to right. When R/L="Low", set direction to left. Without writing or reading of display data, shift right/left cursor position or display. This instruction is used to correct or search display data. During 2-line mode display, cursor moves to the 2nd line after 40th digit of 1st line. Note that display shift is performed simultaneously in all the line. When displayed data is shifted repeatedly, each line shifted individually. When display shift is performed, the contents of address counter are not changed.

S/C	R/L	Description	AC Value
L	L	Shift cursor to the left	AC=AC-1
L	H	Shift cursor to the right	AC=AC+1
H	L	Shift display to the left. Cursor follows the display shift	AC=AC
H	H	Shift display to the right. Cursor follows the display shift	AC=AC

● Function Set

RS	R/W	DB7	DB6	DB5	DB4	DB3	DB2	DB1	DB0
0	0	0	0	1	DL	N	DH	0	IS

> DL : Interface data length control bit

When DL = "High", it means 8-bit bus mode with MPU. When DL = "Low", it means 4-bit bus mode with MPU. So to speak, DL is a signal to select 8-bit or 4-bit bus mode. When in 4-bit bus mode, it needs to transfer 4-bit data by two times.

> N : Display line number control bit

When N = "High", 2-line display mode is set. When N = "Low", it means 1-line display mode.

> DH : Double height font type control bit

When DH = "High" and N = "Low", display font is selected to double height mode(5x16 dot).RAM address can only use 00H=27H. When DH = "High" and N = "High", it is forbidden. When DH = "Low", display font is normal (5x8 dot).

> IS : normal/extension instruction select

When IS = "High", extension instruction be selected (refer extension instruction table) When IS = "Low", normal instruction be selected (refer normal instruction table)