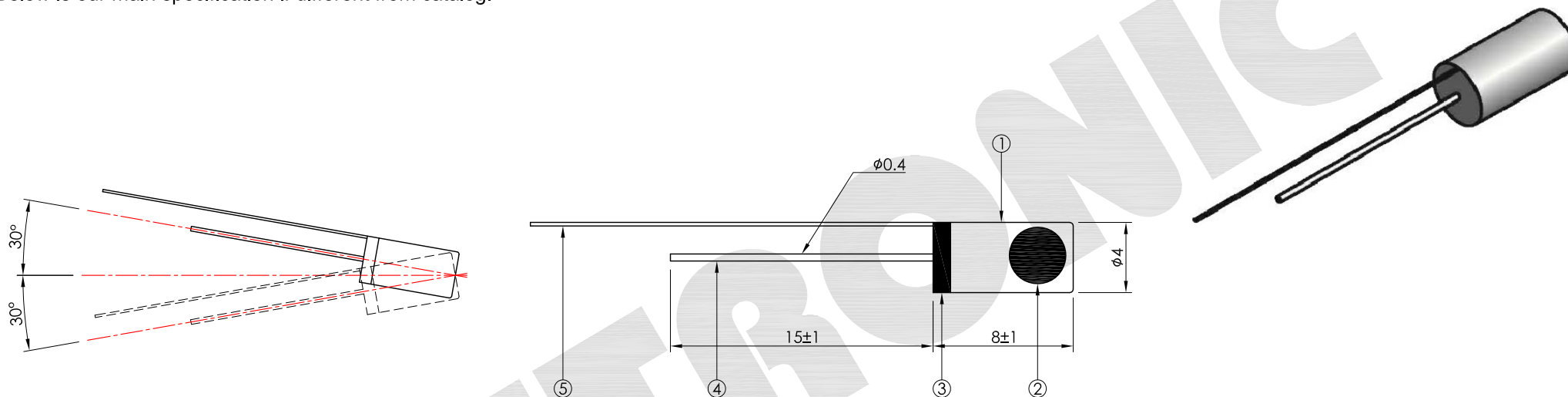


*開關產品未經SWITRONIC同意，請勿拆解，否則無法負品質及安全責任。
Please do not decompose the switch without any permission from SWITRONIC, otherwise the quality and safety responsibility could not be guaranteed.

*本圖面若與目錄之規格尺寸不符，以本圖面規格尺寸為主。
Below is our main specification if different from catalog.



SPECIFICATION

- Rating:** 10mA 24V DC.
- Contact resistance:** 0.5Ω Max.(measured at 45° tilt) (initial)
- Differential angle:** 30° Max.
- Operating temperature:** -25°C ~ +85°C.
- Electrical life:** 100,000 Cycles Min.
- Manual soldering temperature:** 280°C Max. for 3 sec.
- Soldering process:** Recommended by manual soldering, not proper for wave soldering.
- Note1:** Unwashable, don't be immersed by epoxy and organic solvent.
- Note2:** Please check the actual size, do not scale the drawing page.
- Note3:** Please fill the bag and add a desiccant seal to avoid product oxidation, when open the seal of S/W packing.
- Note4:** The switch will active and function out when the switch has a shock or vibration force on it.
- Note5:** If the switch moves very slow (without any vibration or shock), the contact resistance maybe increased, due to the rolling balls are very light.

MATERIAL

- Frame:** Brass, Au plated. ————— ①
- Metal ball:** Brass, Au plated. ————— ②
- Isolation base:** Nylon. ————— ③
- Wire:** Alloy wire, Au plated. ————— ④
- Wire:** Alloy wire, Tin plated. ————— ⑤



V2.0	無	新繪製	2017.08.28
版本 VER.	符號 SYMBOL	修改內容 ALTERATION	更新日期 DATE

產品 PRODUCT	Rolling Ball Switch		型號 MODEL NO.	AT407-G
製圖 DRAWN BY	核圖 CHECKED BY	主管 APPROVED BY	單位 UNIT	mm
Peter Kuo	Chuck Young	Margaret Lee	比例 SCALE	3 : 1
			公差 TOLERANCE	.X=±0.3mm, .XX=±0.2mm

SWITRONIC[®]
INDUSTRIAL CORP.
Switches



一綺電子企業股份有限公司
總公司：110 台北市信義路四段415號13樓之3
13F-3 NO. 415, SEC. 4, HSIN YI ROAD, TAIPEI, TAIWAN
TEL : 886-2-27290229 (Rep.) FAX : 886-2-27582086
URL : http://www.switronic.com
E-MAIL : switches@ms36.hinet.net

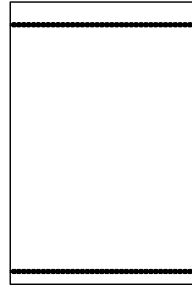
一綺電子企業股份有限公司

SWITRONIC INDUSTRIAL CORP.

入料包裝方式 Packing for Products

袋裝方式
Packing for polybag

成品
Products



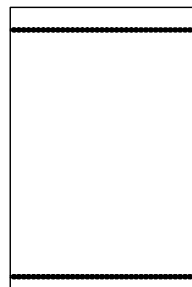
PE袋熱封
Sealed for PE-bag

Packing for polybag : 200 pcs / polybag , Quantity thickness for polybag : 0.08 mm.

Quantity desiccating agent : pcs , Quantity Styrofoam board : pcs.

袋裝方式
Packing for polybag

成品
Products



PE袋
PE-bag

Packing for polybag : pcs / polybag.

Quantity thickness for polybag : mm , Quantity desiccating agent : pcs.

一綺電子企業股份有限公司 SWITRONIC INDUSTRIAL CORP.

產品綠色環保標章

"G" Mark for All RoHS Compliant Products

環保標章式樣

Initial "G": Standing for Green Label



外箱標示

Marked on The Outside of Carton As:

