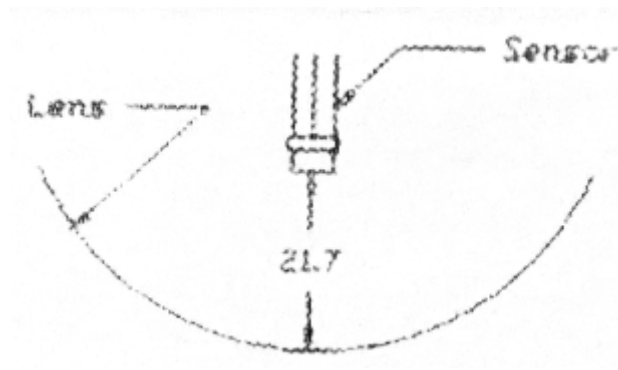
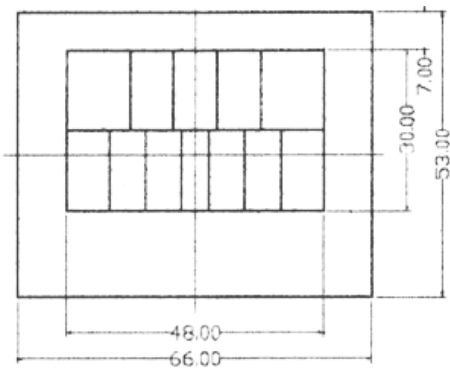


D701

Fresnel Lens

Overall size: 66mm*53mm
 Focal length: 21.7mm
 Detectable distance: 10M
 Viewing angle: 83.2 degree
 Material : HDPE
 Shape: Flat

■ DIMENSION: (Unit = m/m)



■ DETECTING AREA: (Unit = meter)

