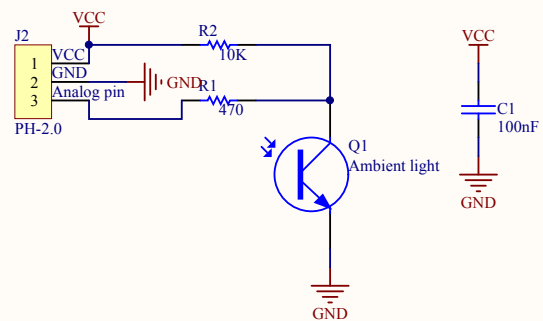


參考資料



Title		
Analog Ambient Light Sensor		
Size	Number	Revision
A4		V2
Date:	2013/5/15	Sheet of
File:	F:\02-PCB	\.Analog Ambient light sensor.BSchDoc