



± 2g Tri-Axis Accelerometer Specifications

PART NUMBER:

KXR94-2050

**Rev. A
Oct 09**

36 Thornwood Drive Ithaca, New York 14850 Tel: 607-257-1080 Fax: 607-257-1146 www.kionix.com	APPROVED BY		DATE
	PROD. MGR.	J. Bergstrom	8/6/07
	TEST MGR.	J. Chong	8/6/07
	VP ENG.	T. Davis	8/6/07

ECN #	PCN #	REV	PG #	REVISION DESCRIPTION	DATE	REV'D BY
		-		Initial Release	8/6/07	
09-171	09-171	A		Update tables to add Special Characteristics. Adjusted current tolerances.	10/19/09	J. Bergstrom

"Kionix" is a registered trademark of Kionix, Inc. Products described herein are protected by patents issued or pending. No license is granted by implication or otherwise under any patent or other rights of Kionix. The information contained herein is believed to be accurate and reliable but is not guaranteed. Kionix does not assume responsibility for its use or distribution. Kionix also reserves the right to change product specifications or discontinue this product at any time without prior notice. This publication supersedes and replaces all information previously supplied.

© 2007 Kionix, Inc. – All rights reserved



± 2g Tri-Axis Accelerometer Specifications

PART NUMBER:

KXR94-2050

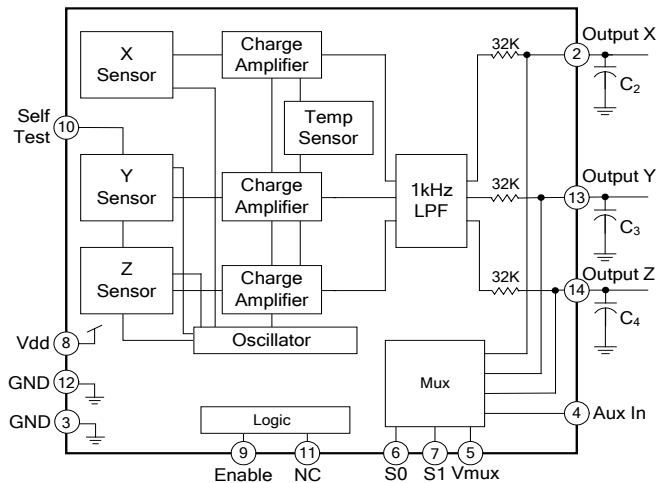
Rev. A
Oct 09

Product Description

The KXR94-2050 is a tri-axis, silicon micromachined accelerometer with a full-scale output range of $\pm 2g$ ($19.6m/s^2$). The sense element is fabricated using Kionix's proprietary plasma micromachining process technology. Acceleration sensing is based on the principle of a differential capacitance arising from acceleration-induced motion of the sense element, which further utilizes common mode cancellation to decrease errors from process variation, temperature, and environmental stress. The sense element is hermetically sealed at the wafer level by bonding a second silicon lid wafer to the device using a glass frit. A separate ASIC device packaged with the sense element provides signal conditioning and self-test. The accelerometer is delivered in a 5 x 5 x 1.2 mm DFN plastic package operating from a 2.5 – 5.25V DC supply.

The three outputs (X, Y, Z) are provided on three **analog** output pins. The KXR94 also features an integrated **4-channel multiplexer** (X, Y, Z, Aux In). The Enable pin must be **high** for normal operation and **low** for power shutdown.

Functional Diagram



	± 2g Tri-Axis Accelerometer Specifications	PART NUMBER: KXR94-2050 Rev. A Oct 09
---	---	--

Product Specifications

Table 1. Mechanical

(specifications are for operation at $V_{dd} = 3.3\text{ V}$ and $T = 25^{\circ}\text{C}$ unless stated otherwise)

Parameters	Units	Min	Typical	Max
Operating Temperature Range	$^{\circ}\text{C}$	-40	-	85
Zero-g Offset	!	V	1.650	1.700
Zero-g Offset Variation from RT over Temp.	$\text{mg}/^{\circ}\text{C}$		± 0.2	
Sensitivity	!	mV/g	660	673
Sensitivity Variation from RT over Temp.	$\%/^{\circ}\text{C}$		± 0.01 (xy) ± 0.02 (z)	
Offset Ratiometric Error ($V_{dd} = 3.3\text{ V} \pm 5\%$)	mg		± 4	
Sensitivity Ratiometric Error ($V_{dd} = 3.3\text{ V} \pm 5\%$)	%		± 1.25 (xy) ± 0.20 (z)	
Non-Linearity	% of FS		0.1	
Cross Axis Sensitivity	%		2.0	
Self Test Output change on Activation	g		1.9 (xy) 0.5 (z)	
Bandwidth (-3dB) ¹	Hz		800	
Noise Density (on filter pins)	$\mu\text{g} / \sqrt{\text{Hz}}$		45	

! Special Characteristics

Notes:

1. Internal 1 kHz low pass filter. Lower frequencies are user definable with external capacitors.

Table 2. Electrical

(specifications are for operation at $V_{dd} = 3.3\text{ V}$ and $T = 25^{\circ}\text{C}$ unless stated otherwise)

Parameters		Units	Min	Typical	Max
Supply Voltage (V_{dd})	Operating	V	2.5	3.3	5.25
Current Consumption	Operating ¹	!	mA	1.03	1.25
	Standby		μA	-	5
Analog Output Resistance (R_{out})		$\text{k}\Omega$	24	32	40
Input Low Voltage		V	-	-	$0.2 * V_{IO}$
Input High Voltage		V	$0.8 * V_{IO}$	-	-
Multiplexer Response Time		μs		4.5	
Power Up Time ²		ms		1	

! Special Characteristics

Notes:

1. Tolerances for operating current are for $V_{dd}=3.3\text{V}$
2. Power up time can also be determined by 5 times the RC time constant of the optional user defined low pass filter.

	± 2g Tri-Axis Accelerometer Specifications	PART NUMBER: KXR94-2050 Rev. A Oct 09
---	---	--

Table 3. Environmental

Parameters		Units	Min	Target	Max
Supply Voltage (V _{dd})	Absolute Limits	V	-0.3	-	7.0
Maximum Operating Temperature Range		°C	-40	-	125
Storage Temperature Range		°C	-55	-	150
Mech. Shock (powered and unpowered)		g	-	-	5000 for 0.5ms
ESD	HBM	V	-	-	3000

CAUTION:
ELECTROSTATIC
SENSITIVE COMPONENT



Caution: ESD Sensitive and Mechanical Shock Sensitive Component, improper handling can cause permanent damage to the device.

The LGA plastic package conforms to European Union Directive 2002/95/EC on the restriction of the use of certain hazardous substances in electrical and electronic equipment (RoHS).

Soldering

Soldering recommendations available upon request or from www.kionix.com.



± 2g Tri-Axis Accelerometer Specifications

PART NUMBER:

KXR94-2050

**Rev. A
Oct 09**

Application Schematic

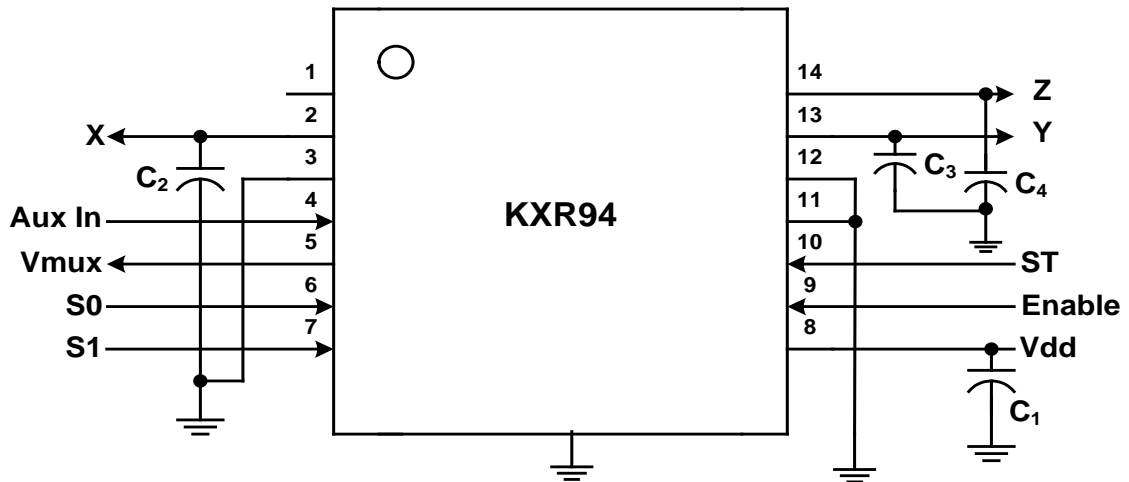


Table 4. KXR94 Pad Descriptions

Pad	Name	Description
1	NC	Not Connected Internally (can be connected to Vdd or Gnd)
2	X output	Analog output of the x-channel. Optionally, a capacitor (C ₂) placed between this pin and ground will form a low pass filter.
3	GND	Ground
4	Aux In	Auxiliary input for multiplexer. Connect to Vdd or Ground if not used.
5	Vmux	Multiplexed analog output. Do not connect if multiplexer is not used.
6	S0	MUX selector 0 (See Output Select Table). Connect to Vdd or Ground if not used.
7	S1	MUX selector 1 (See Output Select Table). Connect to Vdd or Ground if not used.
8	Vdd	The power supply input. Decouple this pin to ground with a 0.1uF ceramic capacitor (C ₁).
9	Enable	Enable: High - Normal operation; Low - Device is in standby, power down mode
10	ST	Self Test: Low - Normal operation; High - Device is in self-test mode
11	NC	Not Connected Internally (can be connected to Vdd or Gnd)
12	GND	Ground
13	Y Output	Analog output of y-channel. Optionally, a capacitor (C ₃) placed between this pin and ground will form a low pass filter.
14	Z Output	Analog output of z-channel. Optionally, a capacitor (C ₄) placed between this pin and ground will form a low pass filter.
	Center pad	Ground



± 2g Tri-Axis Accelerometer Specifications

PART NUMBER:

KXR94-2050

**Rev. A
Oct 09**

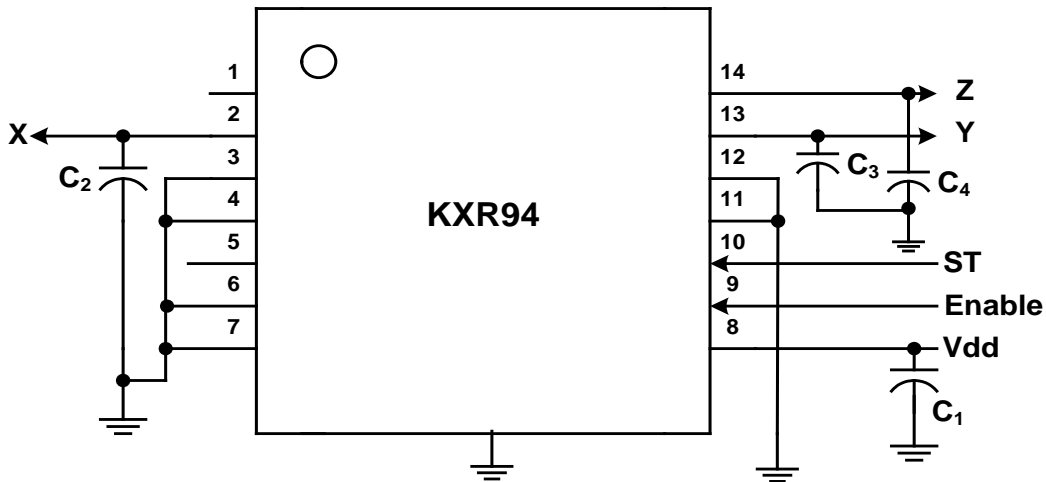
Application Design Equations

- The bandwidth is determined by the internal 1kHz low pass filter. The user can lower the bandwidth by placing filter capacitors connected from pins 2, 13 and 14 to ground. The response is single pole. Given a desired bandwidth, f_{BW} , the filter capacitors are determined by:

$$C_2 = C_3 = C_4 = \frac{4.97 \times 10^{-6}}{f_{BW}}$$

- When using not using the multiplexer, the KXR94 is a pin-compatible replacement for Kionix's KXM52 series of accelerometers. The following application schematic should be used:

- Pin 4 (Aux in) = Ground
- Pin 5 (Vmux) = Do Not Connect
- Pin 6 (S0) = Ground
- Pin 7 (S1) = Ground



- When not connecting the self test pin to a digital I/O port of a microcontroller, Kionix recommends connecting the self test pin to ground.

	± 2g Tri-Axis Accelerometer Specifications	PART NUMBER: KXR94-2050 Rev. A Oct 09
---	---	--

USING THE MULTIPLEXED OUTPUT OF THE KXR94

Multiplexer Data Select

The KXR94 features an integrated 4-channel multiplexer. This feature reduces system MCU requirements to only 1 ADC and 2 digital I/O's. The KXR94 uses two select inputs (S0, S1) to control the data flow from Vmux. When a microprocessor toggles the select inputs, the desired output is attained based on the select table. Note that logic 0 is GND and logic 1 is Vdd.

S1	S0	Vmux
0	0	X Output
0	1	Z Output
1	0	Y Output
1	1	Aux. In

Output Select Table

Data Sampling Rate

When operating in its multiplexed mode, the KXR94 has the ability to achieve very high data sampling rates. Internally, the sensor elements (X, Y, and Z) are sequentially sampled in a "round robin" fashion at a rate of 32KHz per axis. Note that this is a differential capacitance sampling of each sensor element, which stores an analog voltage on the filter cap for each axis. Combine this high sensor element sampling rate with the short 5µS settling time of the integrated multiplexer, and the user can achieve a performance very close to that of the 3 separate analog outputs. This is more than sufficient to eliminate any aliasing in the final application since the KXR94 will be operating with a typical bandwidth of ~50Hz and a maximum of 1000Hz.

	± 2g Tri-Axis Accelerometer Specifications	PART NUMBER: KXR94-2050 Rev. A Oct 09
---	---	--

Test Specifications

! Special Characteristics:

These characteristics have been identified as being critical to the customer. Every part is tested to verify its conformance to specification prior to shipment.

Table 5. Test Specifications

Parameter	Specification	Test Conditions
Zero-g Offset @ RT	1.650 ± 0.050 V	25°C, V _{dd} = 3.3V
Sensitivity @ RT	660 ± 13 mV/g	25°C, V _{dd} = 3.3V
Current Consumption	Operating	0.5 ≤ I _{dd} ≤ 1.4 mA



± 2g Tri-Axis Accelerometer Specifications

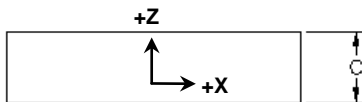
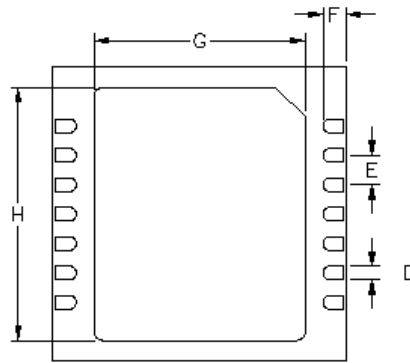
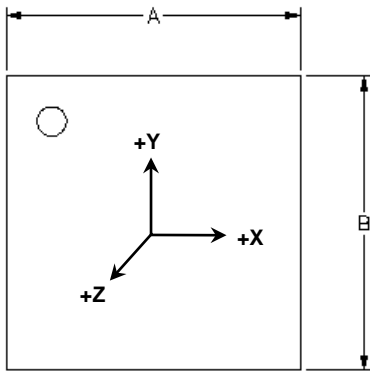
PART NUMBER:

KXR94-2050

**Rev. A
Oct 09**

Package Dimensions and Orientation

5 x 5 x 1.2 mm DFN



Dimension	mm			inch		
	Min	Nom	Max	Min	Nom	Max
A		5.00			0.197	
B		5.00			0.197	
C	1.10	1.20	1.30	0.043	0.047	0.051
D	0.18	0.23	0.28	0.007	0.009	0.011
E		0.50			0.020	
F	0.35	0.40	0.45	0.014	0.016	0.018
G	3.50	3.60	3.70	0.138	0.142	0.146
H	4.20	4.30	4.40	0.165	0.169	0.173

All dimensions and tolerances conform to ASME Y14.5M-1994

When device is accelerated in +X, +Y or +Z direction, the corresponding output will increase.



± 2g Tri-Axis Accelerometer Specifications

PART NUMBER:

KXR94-2050

**Rev. A
Oct 09**

Static X/Y/Z Output Response versus Orientation to Earth's surface (1g):

Position	1	2	3	4	5	6	
Diagram						Top Bottom	Bottom Top
X	1.65 V	2.31 V	1.65 V	0.99 V	1.65 V	1.65 V	
Y	2.31 V	1.65 V	0.99 V	1.65 V	1.65 V	1.65 V	
Z	1.65 V	1.65 V	1.65 V	1.65 V	2.31 V	0.99 V	
X-Polarity	0	+	0	-	0	0	
Y-Polarity	+	0	-	0	0	0	
Z-Polarity	0	0	0	0	+	-	

↓ (1g)

Earth's Surface