

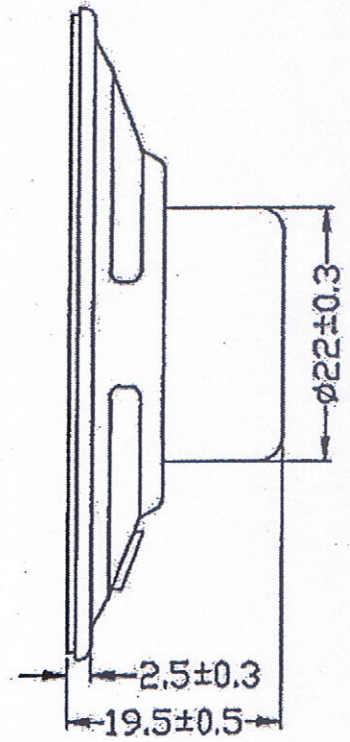
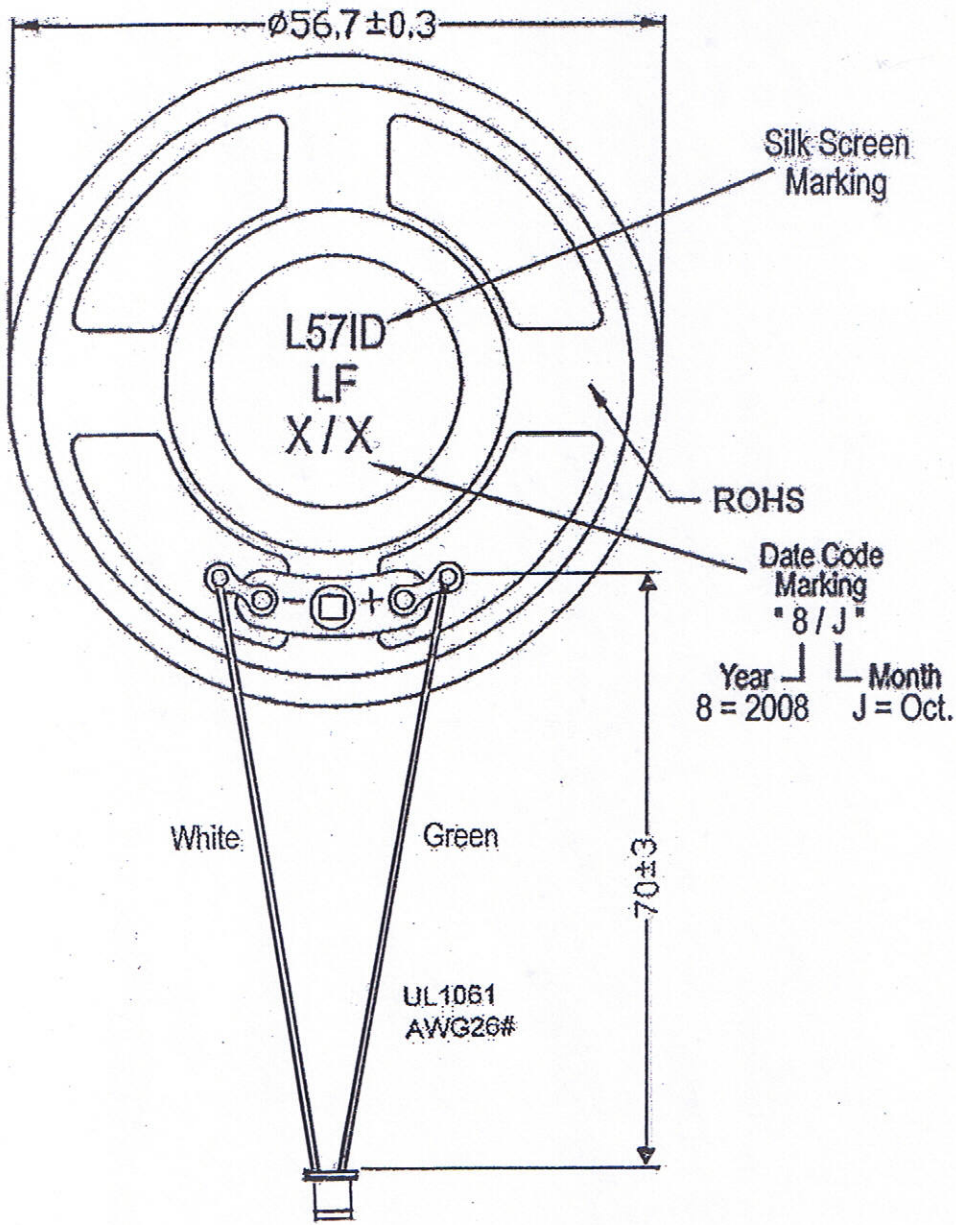
## SPECIFICATIONS

ITEMS	SPECIFICATIONS	CONDITIONS
SIZE	Ø 56.7 X 19.5 ( mm )	
NORMAL POWER RATING	0.2 W	
MAXIMUM POWER RATING	0.4 W	
IMPEDANCE	8.0 Ω	± 15 % AT 1000Hz 1.0V
REASONANT FREQ. ( $f_0$ )	400.0 Hz	± 20 % at 1.0V
SOUND PRESSURE LEVEL	85.0 dB	± 3.0 dB / 1.0 W POWER / MEASURING DISTANCE AT 600, 800, 1000 AND 1200 Hz AVERAGE
MEASURING DISTANCE	1.0 m	
RESPONSE RANGE FROM $f_0$	$f_0 \sim 5.0$ KHz	DEVIARION - 10 dB
DISTORTION	5.0 % MAX	AT 1000 Hz 1.0 W
MAGNET	Ø 12.5 X 2.0	( N35 )
HOUSING MATERRIAL	METAL	
DIAPHRAGM MATERIAL	PAPER CONE	
WEIGHT	29.3 g	
OPERATING TEMPERATURE	- 20 ~ + 55 ° C	
STORAGE TEMPERATURE	- 30 ~ + 60 ° C	
HUMIDITY	90~95% RH	+ 40 ± 2 ° C
BUZZING AND RATTLES	1.26 V	MUST BE NORMAL AT THIS SINE WAVE BETWEEN

MECHANICAL DRAW

BOTTOM VIEW

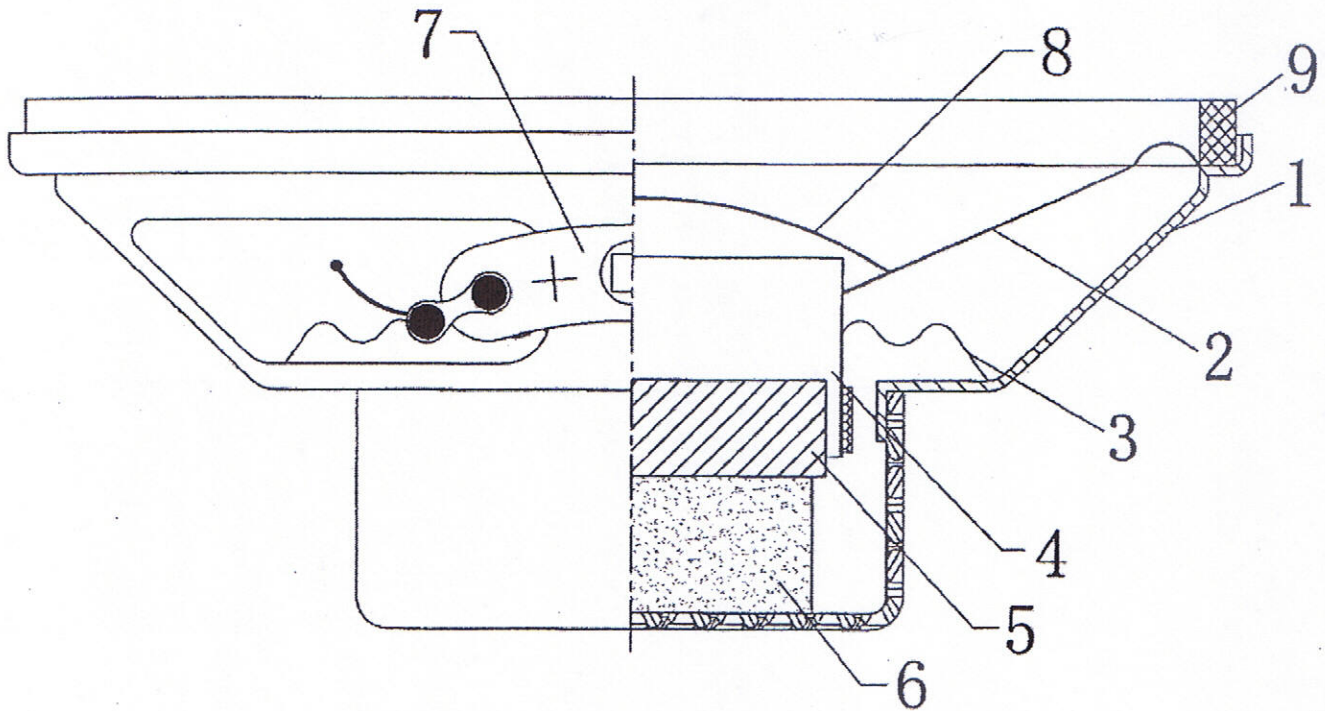
SIDE VIEW



HIROSE Connector  
HOUSING P/N : DF3 - 2S - 2C  
TERMINAL P/N : DF3 - 2428SCFC

*all dimensions are in mm*

**MATERIAL LIST**



NO	PART NAME	MATERIAL	SPECIFICATION	QUANTITY
1	Frame	Iron	Ø 56.7 × Ø 22 × H 19.5	1
2	Diaphragm	Paper	58-03-F220	1
3	Damper	Brown Woven	58-14	1
4	Voice Coil	Copper	13.28 × 7 H × 8Ω - 0.08 #	1
5	Plate	Iron	12.88 × 2.0	1
6	Magnet	Nd - Fe - B	Ø 12.5 × 2.0 ( N35 )	1
7	Terminal	Paper	YD58-02B	1
8	Cap	Paper	YD58-01	1
9	Gasket	Paper	Ø 55 × Ø 51.5 × 1.8	1