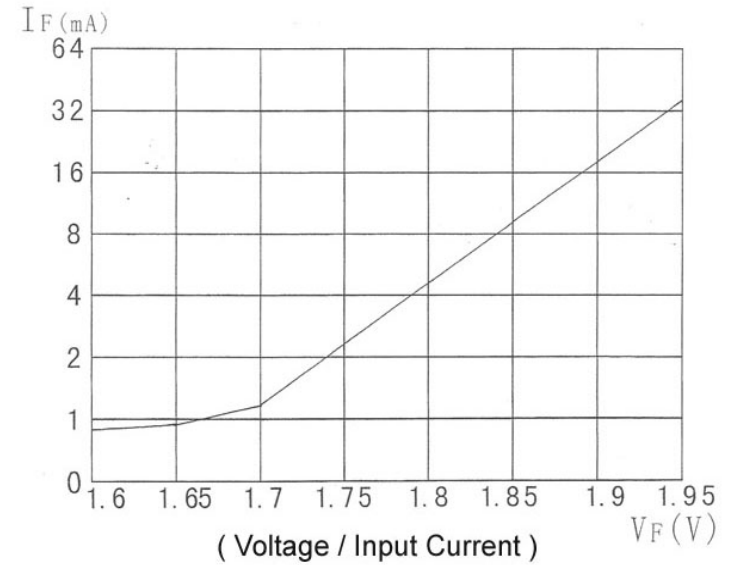
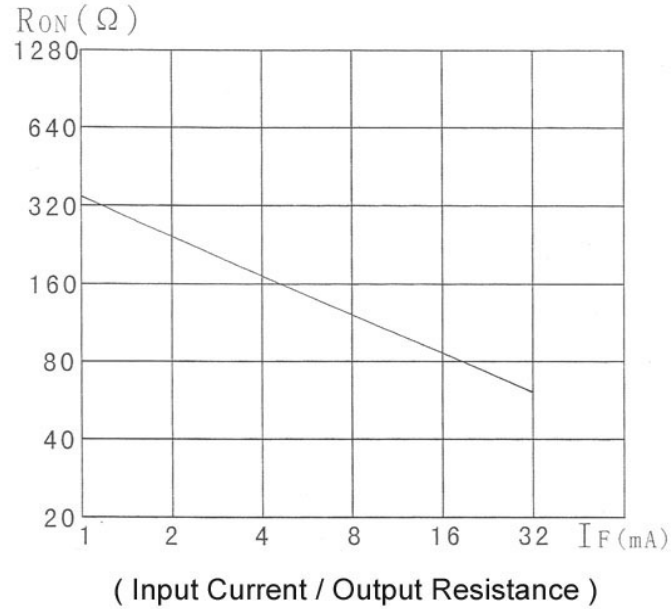
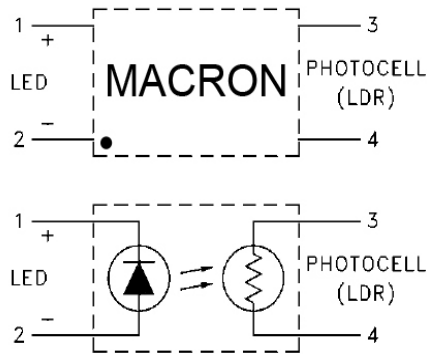


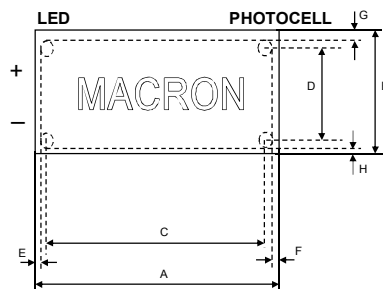
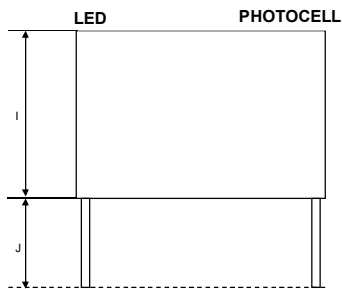
MACRON INTERNATIONAL GROUP LIMITED
MACRON PHOTORESISTOR FACTORY (SHENZHEN)

www.macron.com.hk
 Tel: 852 2781 3743 Fax: 852 2613 9222
 E-mail: sales@macron.com.hk

MI 0202CL - R
RoHS Compliant OPTO-ISOLATOR TECHNICAL GRAPH



MI 0202CL (CL series)(CDS-LED Switch)



CL SERIES	A	B	C	D	E	F	G	H	I	J		
MI 0202CL-R	13 ± 0.1	8 ± 0.1	10 ± 0.1	5 ± 0.1	2 ± 0.1	2 ± 0.1	2 ± 0.1	2 ± 0.1	8.5 ± 0.1	3.2 ± 0.1		
Please contact our sales representatives sales@macron.com.hk for more technical graph and samples												