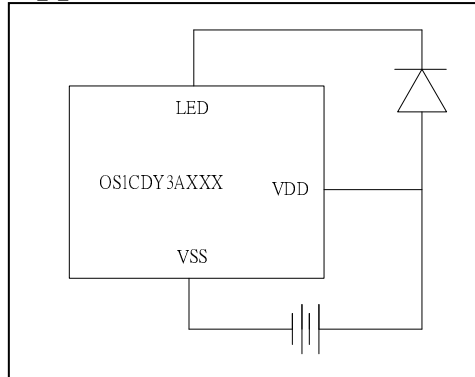


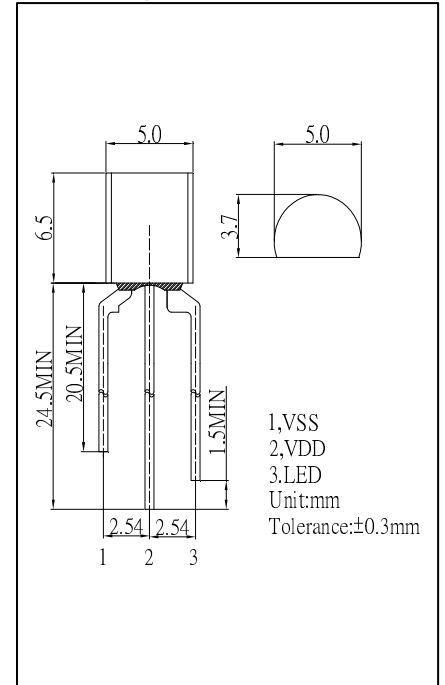
## Single Output LED Flasher IC/OS1CDY3AXXX Series

XXX : 008: 0.8Hz, 015: 1.5Hz, 024: 2.4Hz, 068: 6.8Hz

### Application Circuit



### Package Outlines (Unit : mm)



### Absolute Maximum Rating (Ta=25°C)

Item	Symbol	Value		Unit
		OS1CDY3AXXX		
Blinking Cycle	T	0.8/1.5/2.4/6.8		Hz
Power Supply	V	5	5	V
Operating Temperature	Topr	-30~+85	-30~+85	°C
Storage Temperature	Tstg	-40~+100	-40~+100	°C

Part Number	Lens Type	VDD VF(V)			Blinking Cycle(Hz) (Hz)	Duty Cycle
		Min.	Typ.	Max.		
		Working Current:IF=20mA				
OS1CDY3A008	Black	2.2	4.5	5.0	0.8	1/6
OS1CDY3A015	Black	2.2	4.5	5.0	1.5	1/6
OS1CDY3A024	Black	2.2	4.5	5.0	2.4	1/6
OS1CDY3A068	Black	2.2	4.5	5.0	6.8	1/6