

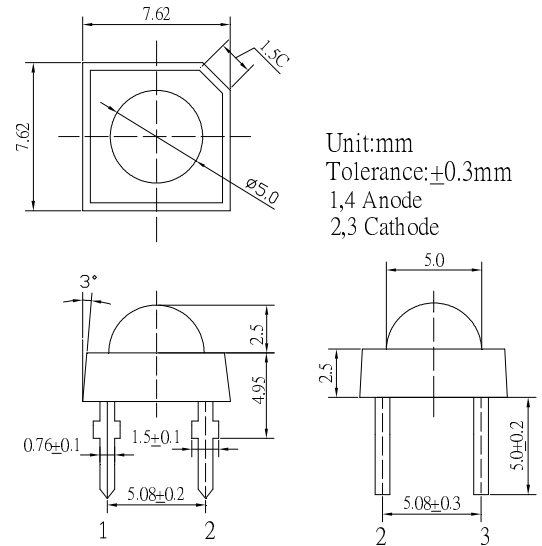
■ Features

- High Luminous Super Flux Output
- 5° Standard Directivity
- Long Lifetime Operation
- Superior Weather-Resistance
- UV Resistant Epoxy
- Water Clear Type

■ Applications

- Interior and exterior automotive lighting
(e.g. dashboard backlighting etc.)
- Backlighting (Illuminated advertising, general lighting, etc)
- Decorative Lighting
- Other Lighting

■ Outline Dimension



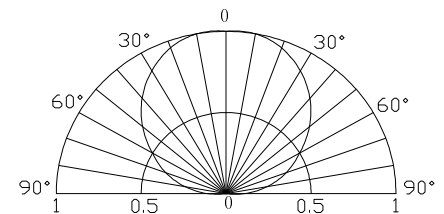
■ Absolute Maximum Rating

(Ta=25°C)

| Item | Symbol | Value | Unit |
|----------------------------|-----------------|--------------|------|
| DC Forward Current | I _F | 100 | mA |
| Pulse Forward Current* | I _{FP} | 120 | mA |
| Reverse Voltage | V _R | 5 | V |
| Power Dissipation | P _D | 252 | mW |
| Operating Temperature | Topr | -30 ~ +85 | °C |
| Storage Temperature | Tstg | -40 ~ +100 | °C |
| Lead Soldering Temperature | Tsol | 260°C / 5sec | - |

*Pulse width Max.10ms , Duty ratio max 1/10

■ Directivity



■ Electrical -Optical Characteristics

(Ta=25°C)

| Item | Symbol | Condition | Min. | Typ. | Max. | Unit |
|---------------------------|-------------------|----------------------|------|-------|------|------|
| DC Forward Voltage | V _F | I _F =50mA | 2.9 | 3.1 | 3.6 | V |
| DC Reverse Current | I _R | V _R =5V | - | - | 10 | μA |
| Luminous Intensity* | I _v | I _F =50mA | 8400 | 10000 | - | mcd |
| Luminous Flux | Φ _v | I _F =50mA | 16 | 18 | - | lm |
| | | I _F =70mA | 23 | 25 | - | |
| Color Temperature | CCT | I _F =50mA | - | 3000 | - | K |
| Chromaticity Coordinates* | x | I _F =50mA | - | 0.44 | - | |
| | y | I _F =50mA | - | 0.41 | - | |
| 50% Power Angle | 2θ _{1/2} | I _F =50mA | - | 120 | - | deg |

*1 Tolerance of chromaticity coordinate is ±10%

*2 Tolerance of luminous intensity is ±15%