

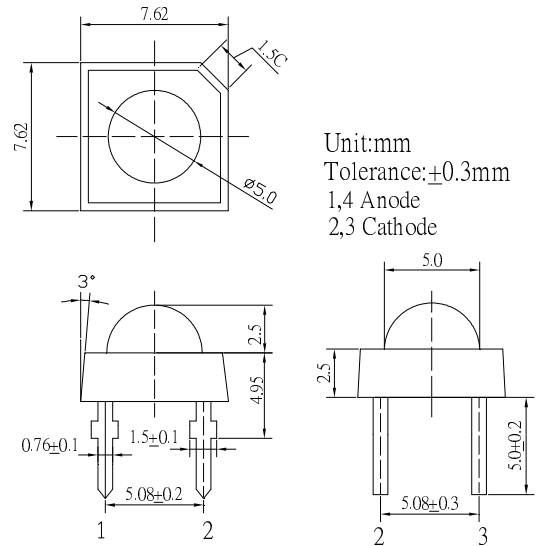
### ■ Features

- High Luminous Super Flux Output
- 5 ° Standard Directivity
- Long Lifetime Operation
- Superior Weather-Resistance
- UV Resistant Epoxy
- Water Clear Type
- Luminous efficiency : 133lm/W @ 50mA

### ■ Applications

- Interior and exterior automotive lighting  
(e.g. dashboard backlighting etc.)
- Backlighting (Illuminated advertising, general lighting, etc)
- Decorative Lighting
- Other Lighting

### ■ Outline Dimension



### ■ Absolute Maximum Rating

(Ta=25°C)

Item	Symbol	Value	Unit
DC Forward Current	I <sub>F</sub>	100	mA
Pulse Forward Current*	I <sub>FP</sub>	120	mA
Reverse Voltage	V <sub>R</sub>	5	V
Power Dissipation	P <sub>D</sub>	252	mW
Operating Temperature	Topr	-30 ~ +85	°C
Storage Temperature	Tstg	-40 ~ +100	°C
Lead Soldering Temperature	Tsol	260°C / 5sec	-

\*Pulse width Max.10ms , Duty ratio max 1/10

### ■ Electrical -Optical Characteristics

(Ta=25°C)

Item	Symbol	Condition	Min.	Typ.	Max.	Unit
DC Forward Voltage	V <sub>F</sub>	I <sub>F</sub> =50mA	2.9	3.1	3.6	V
Power Dissipation	P <sub>D</sub>	I <sub>F</sub> =50mA	145	155	-	mW
DC Reverse Current	I <sub>R</sub>	V <sub>R</sub> =5V	-	-	10	μA
Luminous Intensity*	I <sub>v</sub>	I <sub>F</sub> =50mA	10000	14400	-	mcd
Luminous Flux	Φ <sub>v</sub>	I <sub>F</sub> =50mA	19	20.5	-	lm
		I <sub>F</sub> =70mA	25	27	-	
Color Temperature	CCT	I <sub>F</sub> =50mA	7000	7500	8000	K
Chromaticity Coordinates*	x	I <sub>F</sub> =50mA	-	0.30	-	
	y	I <sub>F</sub> =50mA	-	0.31	-	
50% Power Angle	2θ <sub>1/2</sub>	I <sub>F</sub> =50mA	-	120	-	deg

\*1 Tolerance of chromaticity coordinate is ±10%

\*2 Tolerance of luminous intensity is ±15%

### ■ Directivity

