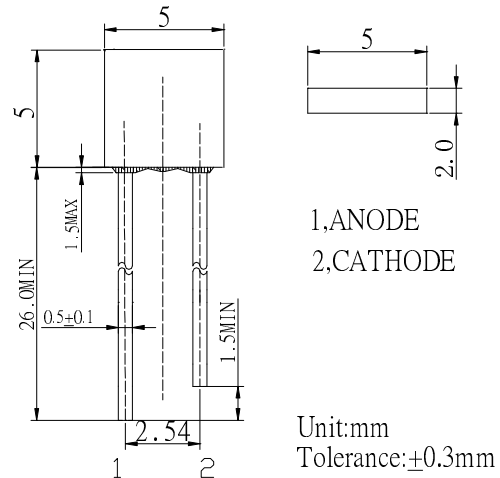


■Features

- Long Lifetime & High Reliability
- Superior Weather-resistance
- UV Resistant Epoxy
- Color Diffused Type
- Using Cree Chip

■Applications

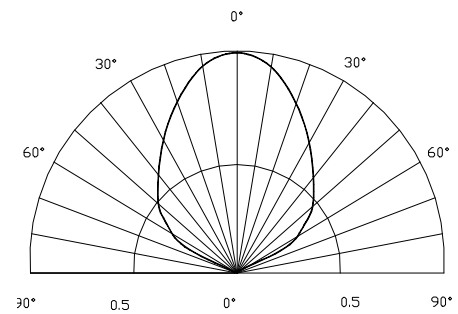
- Automotive Dashboard Lighting
- Back Lighting
- Consumer Products

■Outline Dimension

■Absolute Maximum Rating

(Ta=25°C)

Item	Symbol	Value	Unit
DC Forward Current	I_F	30	mA
Pulse Forward Current*	I_{FP}	100	mA
Reverse Voltage	V_R	5	V
Power Dissipation	P_D	120	mW
Operating Temperature	T_{opr}	-30 ~ +80	°C
Storage Temperature	T_{stg}	-30 ~ +100	°C
Lead Soldering Temperature	T_{sol}	260°C/3sec	-

*Pulse width Max.10ms Duty ratio max 1/10

■Directivity

■Electrical -Optical Characteristics

(Ta=25°C)

Item	Symbol	Condition	Min.	Typ.	Max.	Unit
DC Forward Voltage	V_{F1}	$I_F=5mA$	2.6	2.9	3.2	V
	V_{F2}	$I_F=20mA$	2.8	3.2	3.6	
DC Reverse Current	I_R	$V_R=5V$	-	-	10	μA
Peak Wavelength	W_p	$I_F=20mA$	460	465	470	nm
Luminous Intensity	I_{V1}	$I_F=5mA$	25	40	60	mcd
	I_{V2}	$I_F=20mA$	150	220	330	mcd
50% Power Angle	$2\theta_{1/2}$	$I_F=20mA$	-	100	-	deg