

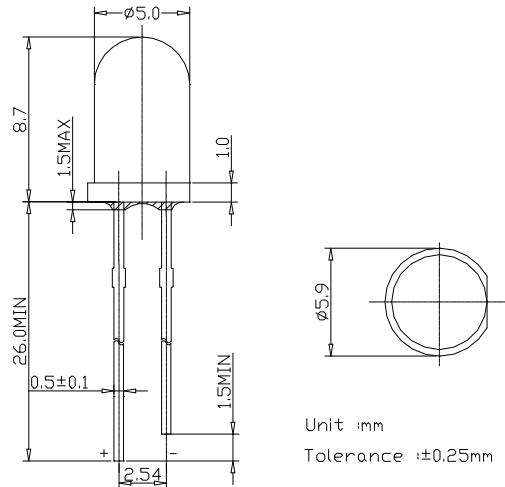
■Features

- High Power LEDs
- 5mm Standard Directivity
- Superior Weather-resistance

■Applications

- Traffic Signal Lamp
- Front Panel Status Indicator
- Moving Message Signs

■Outline Dimension



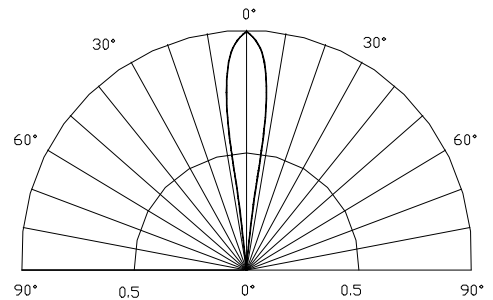
■Absolute Maximum Rating

(Ta=25°C)

Item	Symbol	Value	Unit
DC Forward Current	I_F	25	mA
Pulse Forward Current*	I_{FP}	100	mA
Reverse Voltage	V_R	5	V
Power Dissipation	P_D	120	mW
Operating Temperature	T_{opr}	-20 ~ +75	°C
Storage Temperature	T_{stg}	-30 ~ +80	°C
Lead Soldering Temperature	T_{sol}	260°C/3sec	-

*Pulse width Max.10ms Duty ratio max 1/10

■Directivity



■Electrical -Optical Characteristics

(Ta=25°C)

Item	Symbol	Condition	Min.	Typ.	Max.	Unit
DC Forward Voltage	V_F	$I_F=20$ mA	-	3.6	4.2	V
DC Reverse Current	I_R	$V_R=5$ V	-	-	100	μ A
Domi. Wavelength	λ_D	$I_F=20$ mA	-	505	-	nm
Luminous Intensity	I_v	$I_F=20$ mA	-	8000	-	mcd
50% Power Angle	$2\theta_{1/2}$	$I_F=20$ mA	-	15	-	deg