

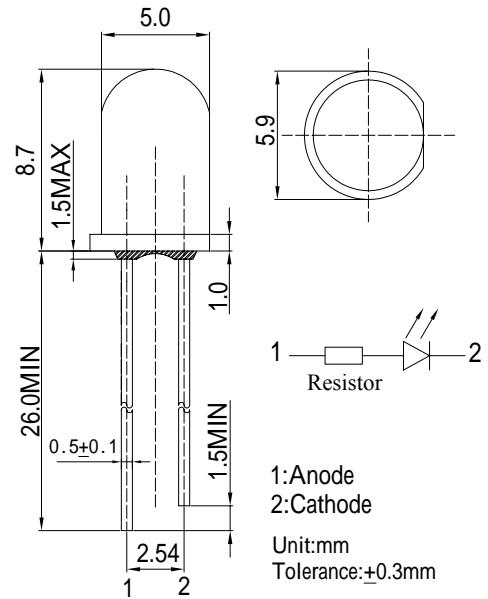
**Features**

- High Luminous LEDs
- 5mm Round Standard Directivity
- Superior Weather-resistance
- UV Resistant Epoxy
- Integral Current Limiting Resistor
- TTL Compatible (Requires No External Current Limiter With 12 Volt Supply)
- Cost Effective (Saves Space and Resistor Cost)
- Color Diffused Type

**Applications**

- Status Indicators
- Other Lighting

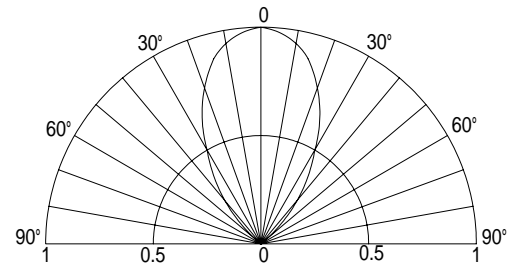
**Outline Dimension**



**Absolute Maximum Rating (Ta=25 °C)**

Item	Symbol	Value	Unit
DC Forward Voltage	V <sub>F</sub>	15	V
Reverse Voltage	V <sub>R</sub>	5	V
Power Dissipation	P <sub>D</sub>	225	mW
Operating Temperature	Topr	-30 ~ +85	
Storage Temperature	Tstg	-40~ +100	
Lead Soldering Temperature	Tsol	260 /5sec	-

**Directivity**



**Electrical -Optical Characteristics (Ta=25 °C)**

Item	Symbol	Condition	Min.	Typ.	Max.	Unit
DC Forward Current	I <sub>F</sub>	V <sub>F</sub> =12V	-	10	15	mA
DC Reverse Current	I <sub>R</sub>	V <sub>R</sub> =12V	-	-	10	μA
Domi. Wavelength*	λ <sub>D</sub>	V <sub>F</sub> =12V	565	570	575	nm
Luminous Intensity*	I <sub>v</sub>	V <sub>F</sub> =12V	68	90	-	mcd
50% Power Angle	2θ <sub>1/2</sub>	V <sub>F</sub> =12V	-	60	-	deg

\*1 Tolerance of dominant wavelength is ±1nm

\*2 Tolerance of luminous intensity is ±15%

**AlGaInP and Si Resistor LED**

**TYPICAL ELECTRICAL/OPTICAL CHARACTERISTIC CURVES**

