

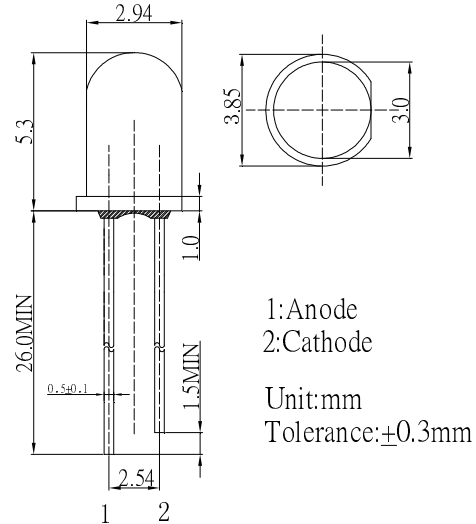
■Features

- High Radiant Power LEDs
- 3mm Standard Directivity
- Superior Weather-resistance
- UV Resistant Epoxy
- Water Clear Type

■Applications

- IrDA
- Encoder
- Data Communication
- IR camera

■Outline Dimension



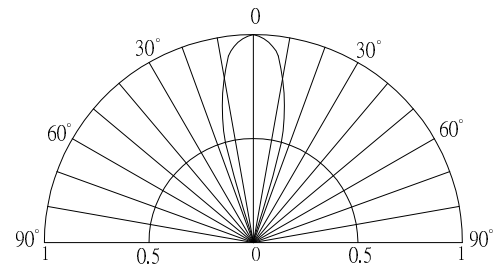
■Absolute Maximum Rating

(Ta=25°C)

| Item | Symbol | Value | Unit |
|----------------------------|-----------|------------|------|
| DC Forward Current | I_F | 70 | mA |
| Pulse Forward Current* | I_{FP} | 700 | mA |
| Reverse Voltage | V_R | 5 | V |
| Power Dissipation | P_D | 126 | mW |
| Operating Temperature | T_{opr} | -30 ~ +85 | °C |
| Storage Temperature | T_{stg} | -40 ~ +100 | °C |
| Lead Soldering Temperature | T_{sol} | 260°C/5sec | - |

*Pulse width Max.10ms Duty ratio max 1/10

■Directivity



■Electrical -Optical Characteristics

(Ta=25°C)

| Item | Symbol | Condition | Min. | Typ. | Max. | Unit |
|--------------------|-----------------|------------|------|------|------|-------|
| DC Forward Voltage | V_F | $I_F=50mA$ | - | 1.6 | 1.8 | V |
| DC Reverse Current | I_R | $V_R=5V$ | - | - | 10 | μA |
| Peak Wavelength | λ_p | $I_F=50mA$ | - | 850 | - | nm |
| Radiant Intensity | I_e | $I_F=50mA$ | - | 30 | - | mW/Sr |
| 50% Power Angle | $2\theta_{1/2}$ | $I_F=50mA$ | - | 15 | - | deg |

*1 Tolerance of Peak wavelength is ±1nm

*2 Tolerance of luminous intensity is ±15%