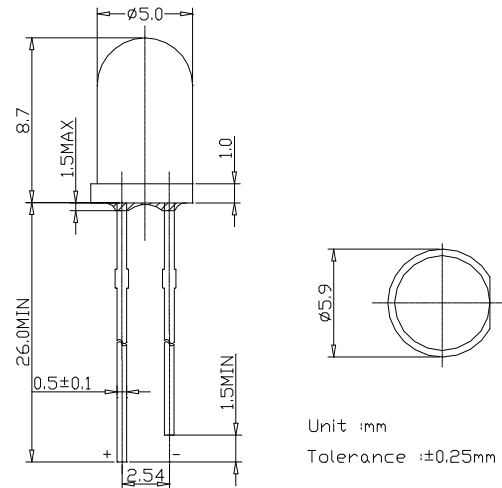


**■Features**

- High Radiant Power LEDs
- 5mm Round Standard Directivity
- Superior Weather-resistance
- UV Resistant Epoxy
- Green Transparent Type

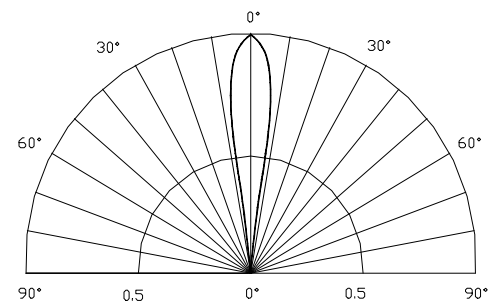
**■Applications**

- IrDA
- Encoder
- Data Communication

**■Outline Dimension**

**■Absolute Maximum Rating**
**(Ta=25°C)**

Item	Symbol	Value	Unit
DC Forward Current	$I_F$	100	mA
Pulse Forward Current*	$I_{FP}$	1000	mA
Reverse Voltage	$V_R$	5	V
Power Dissipation	$P_D$	160	mW
Operating Temperature	$T_{opr}$	-30 ~ +85	°C
Storage Temperature	$T_{stg}$	-40~ +100	°C
Lead Soldering Temperature	$T_{sol}$	260°C/5sec	-

\* Pulse Width ≤ 100us, Duty ≤ 1/100

**■Directivity**

**■Electrical –Optical Characteristics**
**(Ta=25°C)**

Item	Symbol	Condition	Min.	Typ.	Max.	Unit
DC Forward Voltage	$V_F$	$I_F=100mA$	-	1.35	1.6	V
DC Reverse Current	$I_R$	$V_R=5V$	-	-	10	μA
Peak Wavelength	$\lambda_p$	$I_F=50mA$	-	940	-	nm
Radiant Power	$P_O$	$I_F=50mA$	-	12	-	mW
Radiant Intensity	$E_e$	$I_F=50mA$	35	55	-	mW/Sr
50% Power Angle	$2\theta_{1/2}$	$I_F=50mA$	-	15	-	deg

\*1 Tolerance of Peak wavelength is ±1nm

\*2 Tolerance of luminous intensity is ±15%