

**Features**

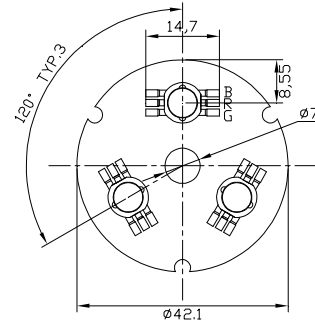
- Highest Luminous Flux
- Super Energy Efficiency
- Long Life
- Quick Response
- Superior ESD Protection
- Superior UV Resistance
- Can be equipped with lens: OS-OLTH5025X

**Applications**

- Small Space Lighting
- Mechanical equipment lights

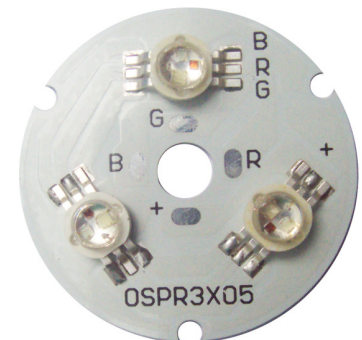
**Outline Size**

Unit: mm

 Tolerance:  $\pm 0.30$ mm

**Absolute Maximum Rating**

(Ta=25°C)

Item	Symbol	Value	Unit
Operating Temperature	Tope	-30 ~ +85	°C
Storage Temperature	Tstg	-40~ +100	°C
Input Voltage(DC)	V <sub>i</sub> (R)	9	V
	V <sub>i</sub> (B/G)	12	V
Input Current(DC)	I <sub>i</sub>	400	mA
Power Dissipation	Pa(R)	3.6	W
	Pa(B/G)	4.8	W

**Picture**

**Electrical -Optical Characteristics**

(Ta=25°C)

Item	Symbol	Condition	Min.	Typ.	Unit
Input Voltage(DC)	V <sub>i</sub> (R)	I <sub>f</sub> =350mA	6.0	7.5	V
	V <sub>i</sub> (B/G)	I <sub>f</sub> =350mA	9	10	V
Power Dissipation	Pa(R)	I <sub>f</sub> =350mA	2.1	2.625	W
	Pa(B/G)	I <sub>f</sub> =350mA	3.15	3.5	W
Whole Luminous Flux*	Φ <sub>v</sub> (R)	I <sub>f</sub> =350mA	120	150	lm
	Φ <sub>v</sub> (G)	I <sub>f</sub> =350mA	150	210	lm
	Φ <sub>v</sub> (B)	I <sub>f</sub> =350mA	30	45	lm
Beam Pattern	BP	-	-	120	Deg
Net Weight	Wei	-	-	5	g

**Circuit**
