

**Features**

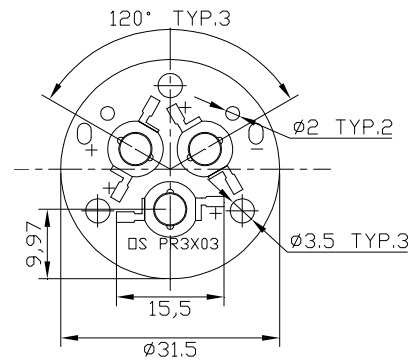
- Super Bright
- Big Emitting Angle
- Long Life
- Quick Response
- Superior ESD Protection
- Superior UV Resistance
- Can be equipped with lens:OS-OLTX3525X

**Applications**

- Small Space Lighting
- Mechanical equipment lights

**Outline Size**

Unit: mm

 Tolerance:  $\pm 0.30\text{mm}$ 

**Absolute Maximum Rating**

(Ta=25°C)

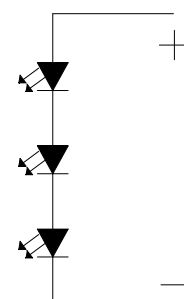
Item	Symbol	Value	Unit
Operating Temperature	Tope	-30 ~ +85	°C
Storage Temperature	Tstg	-40~ +100	°C
Input Voltage(DC)	V <sub>i</sub>	12	V
Input Current(DC)	I <sub>i</sub>	400	mA
Power Dissipation	Pa	4.8	W

**Picture**

**Electrical -Optical Characteristics**

(Ta=25°C)

Item	Symbol	Condition	Min.	Typ.	Unit
Input Voltage(DC)	V <sub>i</sub>	-	9	10	V
Input Current(DC)	I <sub>i</sub>	-	150	350	mA
Power Dissipation	Pa	-	1.35	3.5	W
Color Temperature	CCT	I <sub>F</sub> =350mA	-	3000	K
Whole Luminous Flux*	Φ <sub>v</sub>	I <sub>F</sub> =350mA	-	270	lm
Beam Pattern	BP	-	-	120	Deg
Net Weight	Wei	-	-	5	g

**Circuit**

 \*Tolerance of luminous intensity is  $\pm 15$ 
**Power LED Application Technologies**
