

Model No.	OSPR6XX1- XXXME1C1E
REV.	C1

## Xeon Power 6W LED Module

### Descriptions:

- Green light source, fast response
- Long life, easy installation
- LED model number: XXXME1C1E

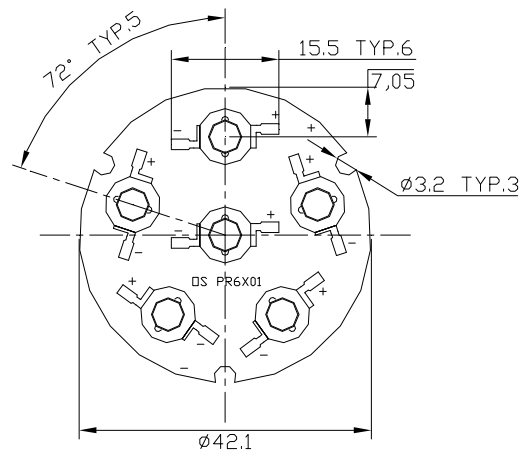
### Features:

- Available in red, yellow, green, blue, white
- Super Bright
- Big Emitting Angle
- Superior ESD Protection
- Superior UV Resistance

### Application:

- Small Space Lighting
- Mechanical equipment lights

### Product Picture and Dimensions:



Unit:mm

Model No.	OSPR6XX1- XXXME1C1E
REV.	C1

### Device Selection Guide

Module No.	Color	Wavelength (Typ.)	Overall Luminous Flux / module x
R5XME1C1E	Red	625 nm	300lm
G5XME1C1E	Green	525 nm	450lm
B5XME1C1E	Blue	470 nm	90lm
Y5XME1C1E	Yellow	590 nm	300lm
W4XME1C1E	White	6500K	600lm
M5XME1C1E	Warm White	3000K	540lm

### Absolute Maximum Ratings(Ta=25°C)

Items	Symbol	Values	Units
Operating supply range(DC)	V <sub>dc</sub> (B, W, G)	12	V
	V <sub>dc</sub> (R, Y)	9	
Input Current (DC)	I <sub>i</sub>	800	mA
Power Dissipation	P <sub>a</sub> (B, W, G)	9.6	W
	P <sub>a</sub> (R, Y)	7.2	
Operating Temperature	T <sub>ope</sub>	-10 ~ +40	DegC
Storage Temperature	T <sub>stg</sub>	-20 ~ +80	DegC

### Typical Performance (Ta=25°C)

Items	Symbol	Min.	Typ.	Max.	Units
LED Module Power	P <sub>m</sub> (B, W, G)	-	7	9.6	W
	P <sub>m</sub> (R, Y)		5.25	7.2	
Input Voltage(DC)	V <sub>i</sub> (B, W, G)	-	10	12	V
	V <sub>i</sub> (R, Y)		7.5	9	
Product input Current	I <sub>f</sub>	-	700	800	mA
Beam Pattern	BP	-	120	-	Deg
Total diameter of PCB	L <sub>mod.</sub>	-	42.1	-	mm
Net Weight	Wei.	---	9.5	---	g