

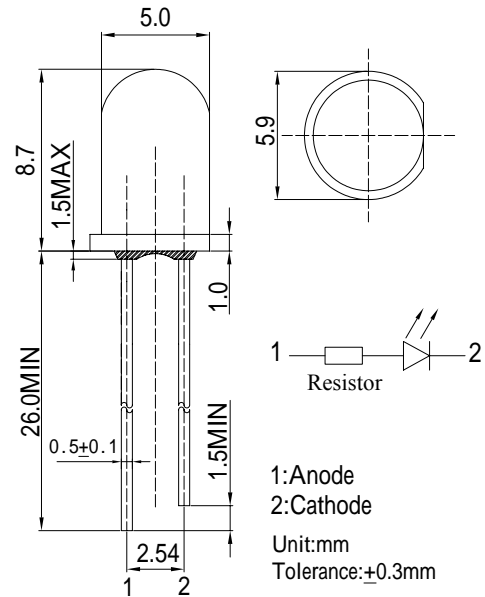
Features

- High Luminous LEDs
- 5mm Round Standard Directivity
- Superior Weather-resistance
- UV Resistant Epoxy
- Integral Current Limiting Resistor
- TTL Compatible (Requires No External Current Limiter With 12 Volt Supply)
- Cost Effective (Saves Space and Resistor Cost)
- Color Diffused Type

Applications

- Status Indicators
- Other Lighting

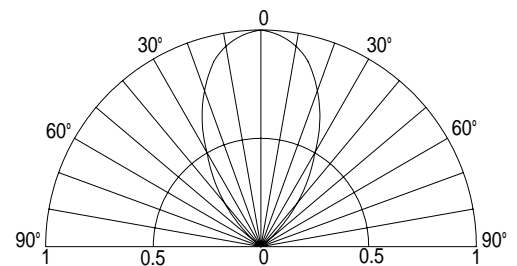
Outline Dimension



Absolute Maximum Rating (Ta=25 °C)

Item	Symbol	Value	Unit
DC Forward Voltage	V _F	12	V
Reverse Voltage	V _R	5	V
Power Dissipation	P _D	120	mW
Operating Temperature	Topr	-30 ~ +85	
Storage Temperature	Tstg	-40~ +100	
Lead Soldering Temperature	Tsol	260 /5sec	-

Directivity



Electrical -Optical Characteristics (Ta=25 °C)

Item	Symbol	Condition	Min.	Typ.	Max.	Unit
DC Forward Current	I _F	V _F =12V	-	10	15	mA
DC Reverse Current	I _R	V _R =5V	-	-	10	μA
Domi. Wavelength*	λ _D	V _F =12V	630	640	650	nm
Luminous Intensity*	I _v	V _F =12V	100	130	-	mcd
50% Power Angle	2θ _{1/2}	V _F =12V	-	60	-	deg

*1 Tolerance of dominant wavelength is ±1nm

*2 Tolerance of luminous intensity is ±15%

AlGaInP and Si Resistor LED

TYPICAL ELECTRICAL/OPTICAL CHARACTERISTIC CURVES

