

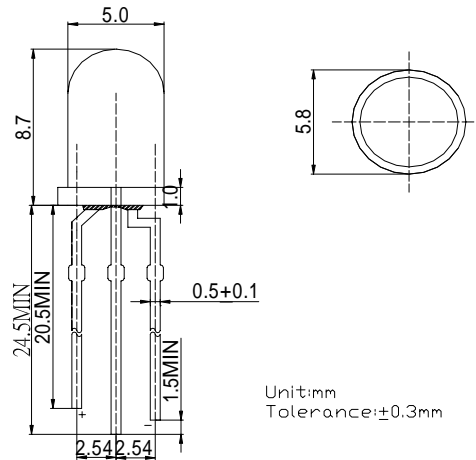
■Features

- High Luminous Output
- 5mm Standard Directivity
- Superior Weather-resistance
- Water Clear Type
- Common Cathode

■Applications

- Toys
- Games
- Audio

■Outline Dimension



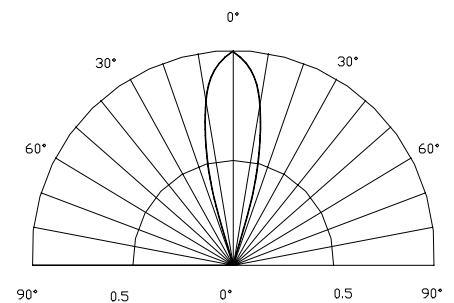
■Absolute Maximum Rating

(Ta=25)

Item	Symbol	Value	Unit
DC Forward Current	I_F	30	mA
Pulse Forward Current*	I_{FP}	100	mA
Reverse Voltage	V_R	5	V
Power Dissipation	P_D	120	mW
Operating Temperature	T_{opr}	-30 ~ +80	
Storage Temperature	T_{stg}	-30 ~ +100	
Lead Soldering Temperature	T_{sol}	260 /5sec	-

*Pulse width Max.10ms Duty ratio max 1/10

■Directivity



■Electrical -Optical Characteristics

(Ta=25)

Item	Symbol	Condition	Min.	Typ.	Max.	Unit
DC Forward Voltage	V_F (Red)	$I_F=20mA$	1.8	2.0	2.4	V
DC Forward Voltage	V_F (Blue)	$I_F=20mA$	2.8	3.4	4.0	V
DC Reverse Current	I_R	$V_R=5V$	-	-	10	μA
Domi. Wavelength	λ_D (Red)	$I_F=20mA$	620	625	630	nm
	λ_D (Blue)	$I_F=20mA$	465	470	475	nm
Luminous Intensity	I_V (Red)	$I_F=20mA$	5800	7000	8400	mcd
	I_V (Blue)	$I_F=20mA$	4200	5800	7000	mcd
50% Power Angle	$2\theta_{1/2}$	$I_F=20mA$	-	30	-	deg

LED & Application Technologies