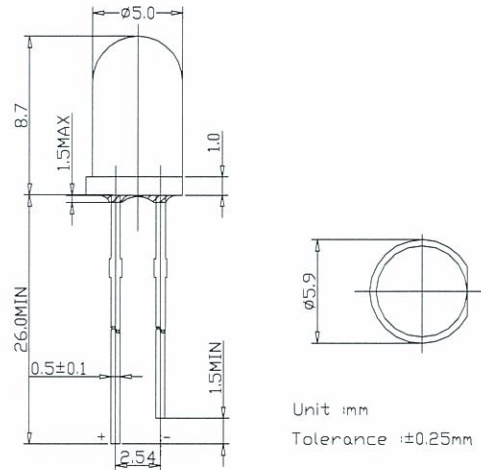


■Features

- High Power LEDs
- 5 ϕ Standard Directivity
- Superior Weather-resistance
- UV Resistant Epoxy

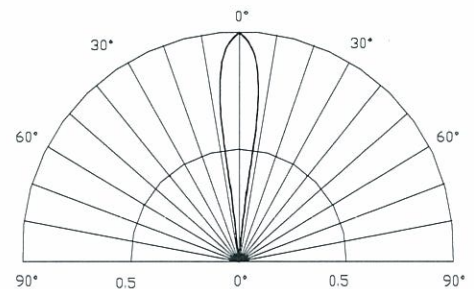
■Applications

- Electronic Signs and Signals
- Back Lighting

■Outline Dimension

■Absolute Maximum Rating

(Ta=25°C)

| Item | Symbol | Value | Unit |
|----------------------------|------------------|------------|------|
| DC Forward Current | I _F | 25 | mA |
| Pulse Forward Current* | I _{FP} | 100 | mA |
| Reverse Voltage | V _R | 5 | V |
| Power Dissipation | P _D | 120 | mW |
| Operating Temperature | T _{opr} | -20 ~ +75 | °C |
| Storage Temperature | T _{stg} | -30 ~ +80 | °C |
| Lead Soldering Temperature | T _{sol} | 260°C/3sec | - |

■Directivity


*Pulse width Max.10ms Duty ratio max 1/10

■Electrical -Optical Characteristics

(Ta=25°C)

| Item | Symbol | Condition | Min. | Typ. | Max. | Unit |
|--------------------|-------------------|----------------------|------|------|------|------|
| DC Forward Voltage | V _F | I _F =20mA | 3.0 | 3.4 | 3.8 | V |
| DC Reverse Current | I _R | V _R =5V | - | - | 100 | μA |
| Dom. Wavelength | λ _D | I _F =20mA | - | 470 | - | nm |
| Luminous Intensity | I _v | I _F =20mA | 6000 | 7000 | - | mcd |
| 50% Power Angle | 2θ _{1/2} | I _F =20mA | - | 15 | - | deg |