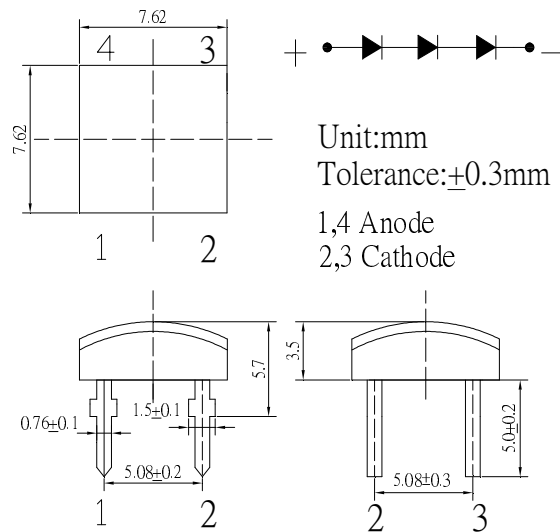


■Features

- High Luminous Super Flux Output
- Superior Weather-resistance
- UV Resistant Epoxy
- Long Lifetime Operation
- Water Clear Type

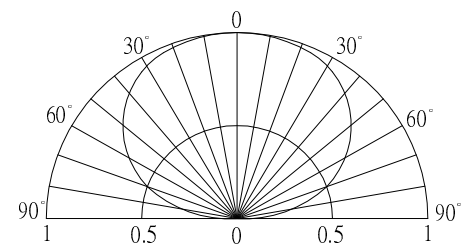
■Applications

- General Purpose Indicators
- Small Area Illuminations
- Back Lighting
- Other Lighting

■Outline Dimension

■Absolute Maximum Rating
(Ta=25°C)

| Item | Symbol | Value | Unit |
|----------------------------|-----------|--------------|------|
| DC Forward Current | I_F | 50 | mA |
| Pulse Forward Current* | I_{FP} | 100 | mA |
| Reverse Voltage | V_R | 15 | V |
| Power Dissipation | P_D | 450 | mW |
| Operating Temperature | T_{opr} | -30 ~ +85 | °C |
| Storage Temperature | T_{stg} | -40 ~ +100 | °C |
| Lead Soldering Temperature | T_{sol} | 260°C / 5sec | - |

*Pulse width Max.10ms , Duty ratio max 1/10

■Directivity

■Electrical -Optical Characteristics
(Ta=25°C)

| Item | Symbol | Condition | Min. | Typ. | Max. | Unit |
|---------------------------|-----------------|------------|------|------|------|------|
| DC Forward Voltage | V_F | $I_F=30mA$ | 8.9 | 9.3 | 10.8 | V |
| DC Reverse Current | I_R | $V_R=15V$ | - | - | 10 | μA |
| Luminous Flux* | Φ_v | $I_F=30mA$ | - | 30 | - | lm |
| Color Temperature | CCT | $I_F=30mA$ | - | 6500 | - | K |
| Chromaticity Coordinates* | x | $I_F=30mA$ | - | 0.31 | - | |
| | y | $I_F=30mA$ | - | 0.33 | - | |
| 50% Power Angle | $2\theta_{1/2}$ | $I_F=30mA$ | - | 140 | - | deg |

*1 Tolerance of chromaticity coordinates is ±10%

*2 Tolerance of luminous intensity is ±15%