

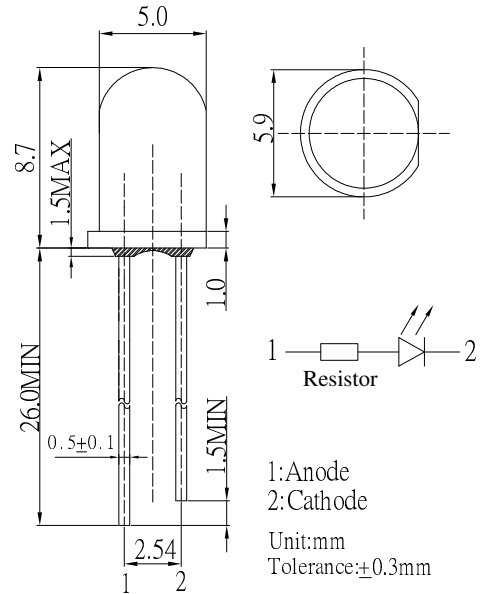
**■ Features**

- High Luminous LEDs
- 5mm Round Standard Directivity
- Superior Weather-resistance
- UV Resistant Epoxy
- Integral Current Limiting Resistor
- TTL Compatible (Requires No External Current Limiter With 12 Volt Supply)
- Cost Effective (Saves Space and Resistor Cost)
- White Diffused Type

**■ Applications**

- Status Indicators
- Other Lighting

**■ Outline Dimension**

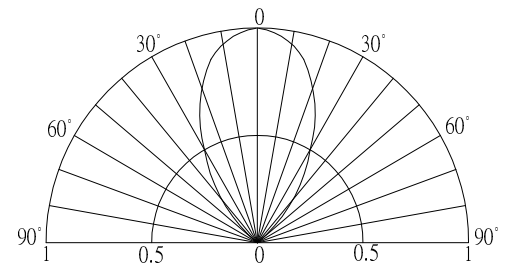


**■ Absolute Maximum Rating**

(Ta=25°C)

Item	Symbol	Value	Unit
DC Forward Voltage	V <sub>F</sub>	12	V
Reverse Voltage	V <sub>R</sub>	5	V
Power Dissipation	P <sub>D</sub>	120	mW
Operating Temperature	T <sub>opr</sub>	-30 ~ +85	°C
Storage Temperature	T <sub>stg</sub>	-40~ +100	°C
Lead Soldering Temperature	T <sub>sol</sub>	260°C/5sec	-

**■ Directivity**



**■ Electrical -Optical Characteristics**

(Ta=25°C)

Item	Symbol	Condition	Min.	Typ.	Max.	Unit
DC Forward Current	I <sub>F</sub>	V <sub>F</sub> =12V	-	10	-	mA
DC Reverse Current	I <sub>R</sub>	V <sub>R</sub> =5V	-	-	10	μA
Color Temperature*	CCT	V <sub>F</sub> =12V	-	10000	-	K
Luminous Intensity*	I <sub>v</sub>	V <sub>F</sub> =12V	1560	2180	-	mcd
50% Power Angle	2θ <sub>1/2</sub>	V <sub>F</sub> =12V	-	60	-	deg

\*1 Tolerance of Color Temperature is ±10%

\*2 Tolerance of luminous intensity is ±15%