

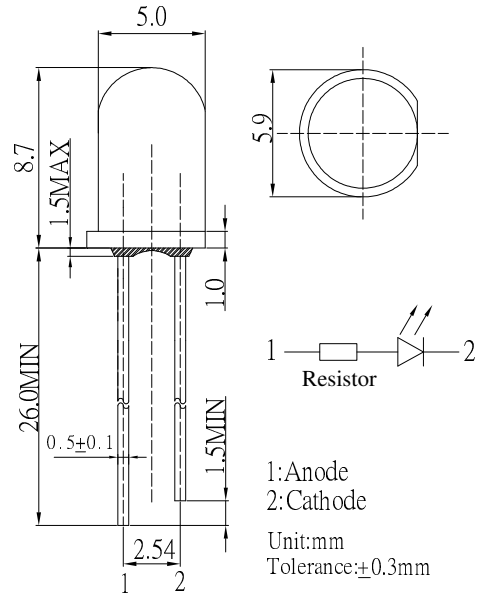
■ Features

- High Luminous LEDs
- 5mm Round Standard Directivity
- Superior Weather-resistance
- UV Resistant Epoxy
- Integral Current Limiting Resistor
- TTL Compatible (Requires No External Current Limiter With 5 Volt Supply)
- Cost Effective (Saves Space and Resistor Cost)
- White Diffused Type

■ Applications

- Status Indicators
- Other Lighting

■ Outline Dimension

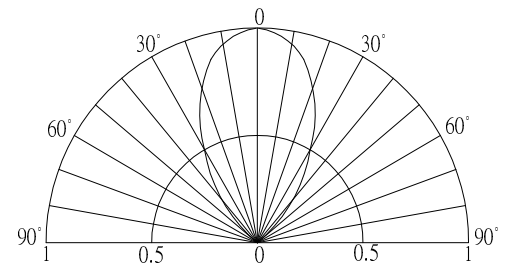


■ Absolute Maximum Rating

(Ta=25°C)

Item	Symbol	Value	Unit
DC Forward Voltage	V _F	7.5	V
Reverse Voltage	V _R	5	V
Power Dissipation	P _D	150	mW
Operating Temperature	T _{opr}	-30 ~ +85	°C
Storage Temperature	T _{stg}	-40~ +100	°C
Lead Soldering Temperature	T _{sol}	260°C/5sec	-

■ Directivity



■ Electrical -Optical Characteristics

(Ta=25°C)

Item	Symbol	Condition	Min.	Typ.	Max.	Unit
DC Forward Current	I _F	V _F =5V	-	12	20	mA
DC Reverse Current	I _R	V _R =5V	-	-	10	μA
Color Temperature*	CCT	V _F =5V	-	10000	-	K
Luminous Intensity*	I _v	V _F =5V	1560	2180	-	mcd
50% Power Angle	2θ _{1/2}	V _F =5V	-	60	-	deg

*1 Tolerance of Color temperature is ±10%

*2 Tolerance of luminous intensity is ±15%