

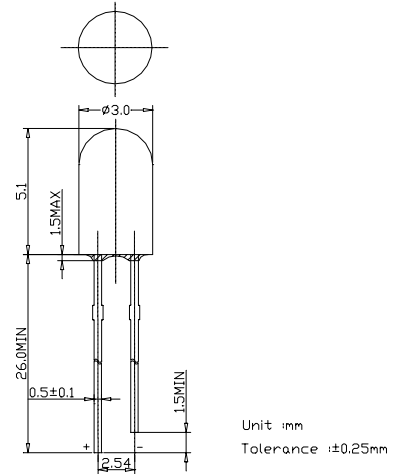
■Features

- High Power LEDs
- 3 ϕ Standard Directivity
- Superior Weather-resistance
- UV Resistant Epoxy

■Applications

- General Purpose Indicators
- Small Area Illuminations
- Back Lighting

■Outline Dimension



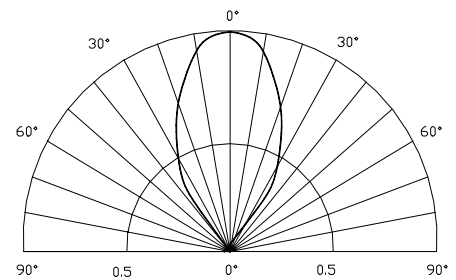
■Absolute Maximum Rating

(Ta=25)

| Item | Symbol | Value | Unit |
|----------------------------|-----------|-----------|------|
| DC Forward Current | I_F | 25 | mA |
| Pulse Forward Current* | I_{FP} | 100 | mA |
| Reverse Voltage | V_R | 5 | V |
| Power Dissipation | P_D | 120 | mW |
| Operating Temperature | T_{opr} | -20 ~ +75 | |
| Storage Temperature | T_{stg} | -30 ~ +80 | |
| Lead Soldering Temperature | T_{sol} | 260 /3sec | - |

*Pulse width Max.10ms Duty ratio max 1/10

■Directivity



■Electrical -Optical Characteristics

(Ta=25)

| Item | Symbol | Condition | Min. | Typ. | Max. | Unit |
|--------------------------|-----------------|------------|------|------|------|---------|
| DC Forward Voltage | V_F | $I_F=20mA$ | 3.0 | 3.4 | 4.2 | V |
| DC Reverse Current | I_R | $V_R=5V$ | - | - | 100 | μA |
| Luminous Intensity | I_v | $I_F=20mA$ | - | 1500 | - | mcd |
| Chromaticity Coordinate* | x | $I_F=20mA$ | - | 0.30 | - | |
| | y | $I_F=20mA$ | - | 0.31 | - | |
| 50% Power Angle | $2\theta_{1/2}$ | $I_F=20mA$ | - | 60 | - | deg |

*Please refer to CIE 1931 chromaticity diagram.

LED & Application Technologies