

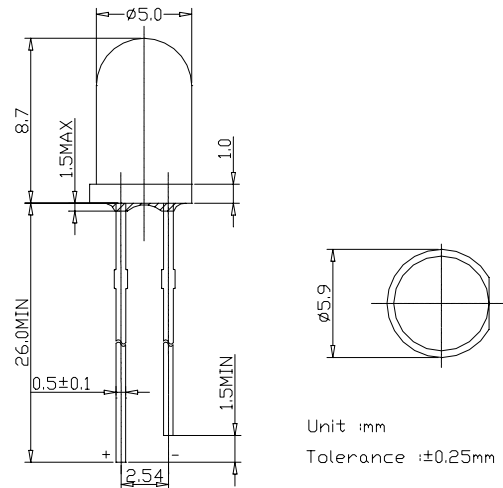
#### ■Features

- High Power LEDs
- 5mm Standard Directivity
- Superior Weather-resistance
- UV Resistant Epoxy

#### ■Applications

- Electronic Signs and Signals
- Illuminations
- Back Lighting

#### ■Outline Dimension



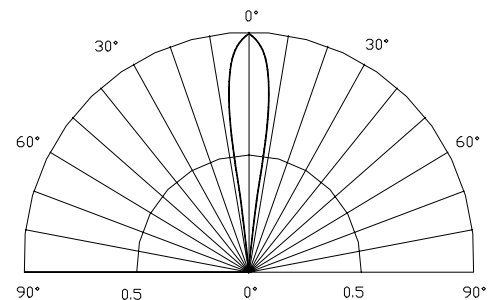
#### ■Absolute Maximum Rating

( $T_a=25$  )

Item	Symbol	Value	Unit
DC Forward Current	$I_F$	25	mA
Pulse Forward Current*	$I_{FP}$	100	mA
Reverse Voltage	$V_R$	5	V
Power Dissipation	$P_D$	120	mW
Operating Temperature	$T_{opr}$	-20 ~ +75	
Storage Temperature	$T_{stg}$	-30 ~ +80	
Lead Soldering Temperature	$T_{sol}$	260 /3sec	-

\*Pulse width Max.10ms Duty ratio max 1/10

#### ■Directivity



#### ■Electrical -Optical Characteristics

( $T_a=25$  )

Item	Symbol	Condition	Min.	Typ.	Max.	Unit
DC Forward Voltage	$V_F$	$I_F=20mA$	3.4	3.6	4.2	V
DC Reverse Current	$I_R$	$V_R=5V$	-	-	100	$\mu A$
Luminous Intensity	$I_v$	$I_F=20mA$		14000		mcd
Chromaticity Coordinate*	x	$I_F=20mA$	-	0.31	-	-
	y	$I_F=20mA$	-	0.32	-	-
50% Power Angle	$2\theta_{1/2}$	$I_F=20mA$	-	15	-	deg

\*Please refer to CIE 1931 chromaticity diagram.

#### LED & Application Technologies