

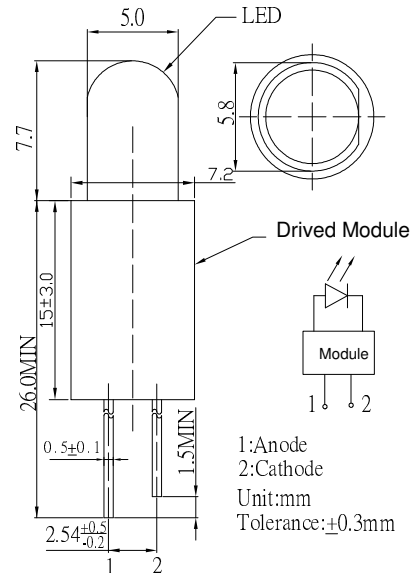
■ Features

- High Luminous LEDs
- 5mm Round Standard Directivity
- Superior Weather-resistance
- UV Resistant Epoxy
- Used 0.8~1.6V DC Drive (Such 1 piece AA or AAA Size Battery)
- Cost Effective (Saves Space and battery Cost)
- Water Clear Type

■ Applications

- Flashlight
- Other Lighting

■ Outline Dimension

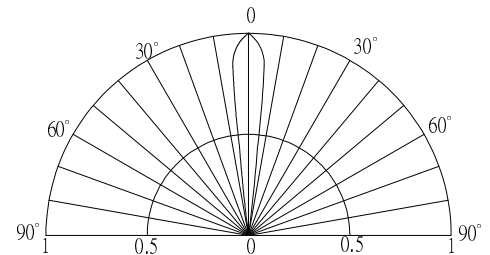


■ Absolute Maximum Rating

(Ta=25°C)

Item	Symbol	Value	Unit
DC Forward Voltage	V _F	1.5	V
DC Forward Current (Input)	I _F	114	mA
Power Dissipation	P _D	171	mW
Operating Temperature	Topr	-30 ~ +85	°C
Storage Temperature	Tstg	-30 ~ +85	°C
Lead Soldering Temperature	Tsol	260°C/5sec	-

■ Directivity



■ Electrical -Optical Characteristics (Ta=25°C)

Part Number	Color		I _F (mA)			I _v (mcd)*			λD(nm)*			2θ1/2(deg)
			Input	In LED		Min.	Typ.	Max.	Min.	Typ.	Max.	Typ.
				Min	Max.							
			V _F = 1.2V			V _F = 1.2V						
OSW4DK5111A-1V	Pure White	W	64±10	16	22	20000	22000	-	X=0.31, Y=0.33			15
OSW5DK5111A-1V	Cool White	W	64±10	16	22	22000	25000	-	X=0.27, Y=0.28			15
OSM5DK5111A-1V	Warm White	M	64±10	16	22	18000	20000	-	X=0.45, Y=0.41			15
OSB5SA5111A-1V	Blue	B	64±10	16	22	7000	8400	-	465	470	475	15
OSG5DA5111A-1V	Pure Green	G	64±10	16	22	22000	25000	-	520	525	530	15
OSY5PA5111A-1V	Yellow	Y	76±10	15	20	20000	22000	-	585	590	595	15
OSO5PA5111A-1V	Orange	O	76±10	15	20	22000	25000	-	600	605	610	15
OSR5PA5111A-1V	Red	R	76±10	15	20	20000	22000	-	620	625	630	15

*1 Tolerance of chromaticity coordinates is ±10%

*2 Tolerance of luminous intensity is ±15%