



PARA LIGHT ELECTRONICS CO., LTD.

4F, No.1, Lane 93, Chien Yi Road, Chung Ho City, Taipei, Taiwan

Tel: 886-2-2225-3733

Fax: 886-2-2225-4800

E-mail: para@para.com.tw

<http://www.para.com.tw>

DATA SHEET

PART NO. : PL-IRM0101-3

REV : B / 1

CUSTOMER'S APPROVAL : _____

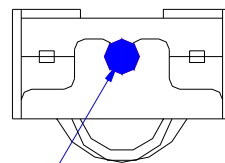
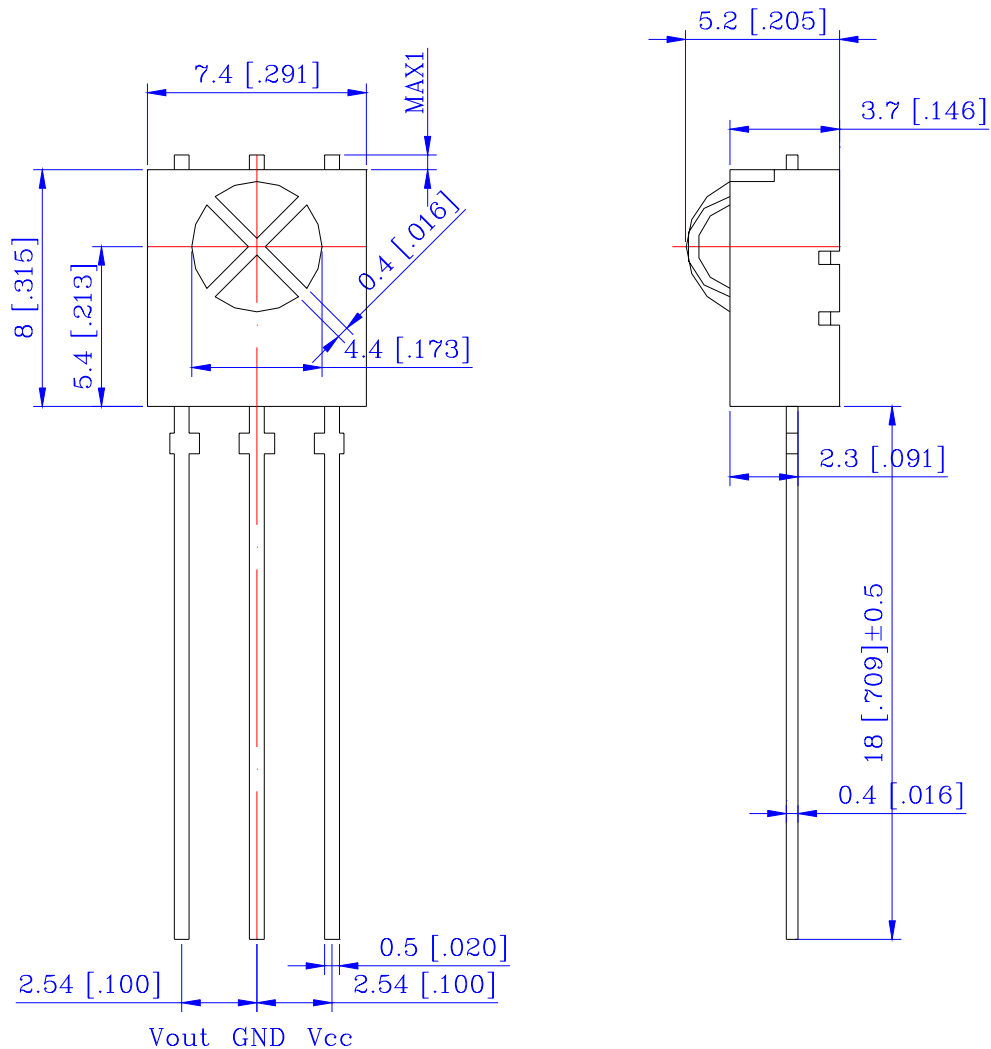
DCC : _____

DRAWING NO. : DS-27-01-0001

DATE : 2010-01-13

Page : 1

● PACKAGE DIMENSIONS



HATCH GND(GND SOLDER)

NOTES :

1. All dimensions are in millimeters.
2. Tolerance is $\pm 0.25(0.010)$ unless otherwise specified



INFRARED REMOTE CONTROL RECEIVER MODULE

PL-IRM0101-3

REV:B / 1

● FEATURES

- * ONE MOLD SMALL PACKAGE
- * 5VOLT SUPPLY VOLTAGE, LOW POWER CONSUMPTION
- * SHIELDED AGAINST ELECTRICAL FIELD DISTURBANCE

● ABSOLUTE MAXIMUM RATING : (Ta = 25°C)

SYMBOL	PARAMETER	ULTRA CONDITION	UNIT
Vcc	Supply Voltage	5.5	V
Tstg	Storage Temperature Range	-25to 85	°C
Topr	Operating Temperature Range	-25to 85	°C
Tsol	Soldering Temperature	255(MAX 5sec)	°C
Lead soldering temperature { 1.6mm (0.063inch) from body } 250±5°C for 3 seconds.			

● ELECTRO-OPTICAL CHARACTERISTICS : (Ta = 25°C)

SYMBOL	PARAMETER	CONDITION	MIN.	TYP.	MAX.	UNIT
Vcc	Supply Voltage		4.5	5		V
Icc	Current Consumption	Input signal=0			2.5	mA
λP	Peak Emission Wavelength			940		nm
fo	B.P.F Center Frequency			38		KHz
L	Arrival Distance	L-514EIR1C	0°	35		m
			±30°	9		m
Voh	H Level Output Voltage	30cm over the axis	4.5			V
Vol	L Level Output Voltage		0.1	0.5	V	
Twh	H Level Output Pulse Width	Burst wave=600 μ s	400	600	800	μ s
Twl	L Level Output Pulse Width	Period=1.2ms	400	600	800	μ s
Output Form		Active low output				

Arrival light source: Detecting surface illumination shall be irradiate 200Lux under ordinary white fluorescence lamp without high frequency lightning.



INFRARED REMOTE CONTROL RECEIVER MODULE

PL-IRM0101-3

REV:B / 1

● OPERATION NOTES(STANDARD CONDITION)

IR CODE	IR RECEIVER PL-IRM0101-3		
	BEST APPLICATION	SUITABLE	NOT RECOMMENDED
GRUNDIG CODE		@	
NEC CODE		@	
RC5 CODE		@	
RC6 CODE	@		
RCMM CODE	@		
RCS-80 CODE			@
R-2000 CODE		@	
RCA CODE		@	
SHARP CODE		@	
SONY 12BIT CODE		@	
SONY 15BIT CODE	@		
ZENITH CODE		@	
HIGH DATA RATE CODE			@
DISTURBANCE SUPPRESSION	@		

NOTE: @:BEST FOR APPLICATION

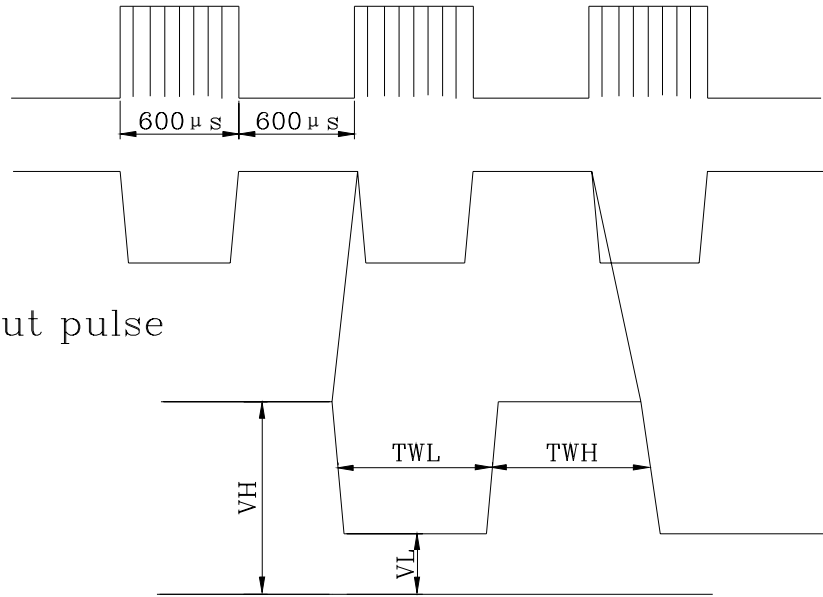
● OVERVIEW OF THE DUSTURBANCE SUPPRESSION BEHAVIOR

DISTURBANCE LAMP	IR RECEIVER PL-IRM0101-3
FROM MOST USED FLUORESCENT LAMPS (WITH SWITCHED SUPPLY)	BEST SUPPRESSION
FROM MOST USED FLUORESCENT LAMPS (WITH DIRECT LINE SUPPLY)	BEST SUPPRESSION
FROM MOST USED FLUORESCENT LAMPS (WITH STRONG BALLAST)	POSSIBILITY OF DISTURBANCE PULSES

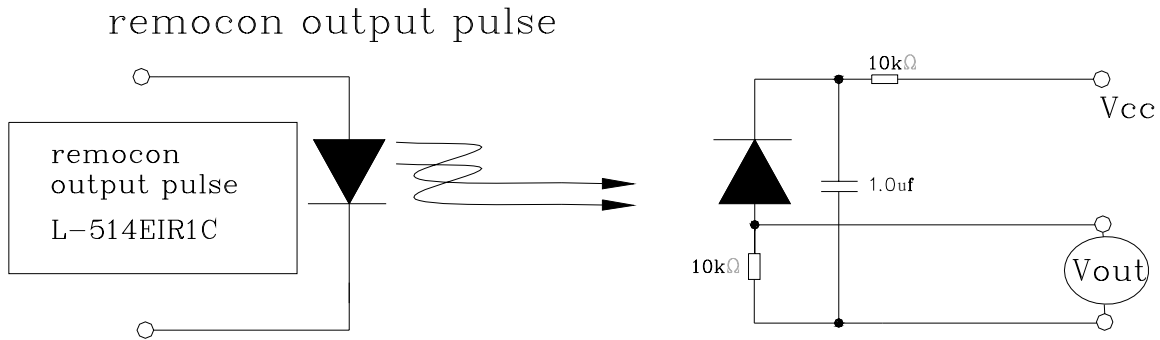
● MEASURE METHOD

Output pulse width

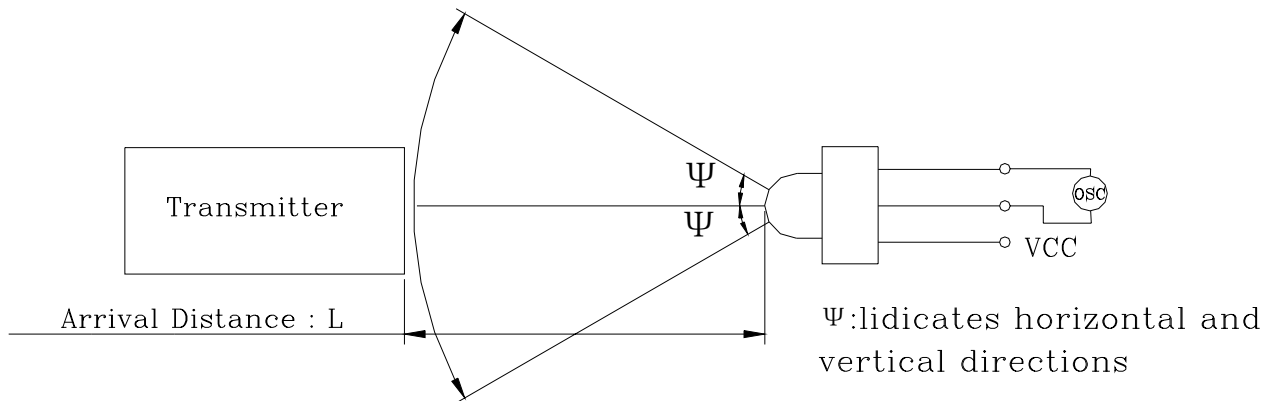
Transmitter out carrier frequency(f_0)duty 50%



remocon output pulse



Test Condition of Arrival Distance



Ψ : indicates horizontal and vertical directions