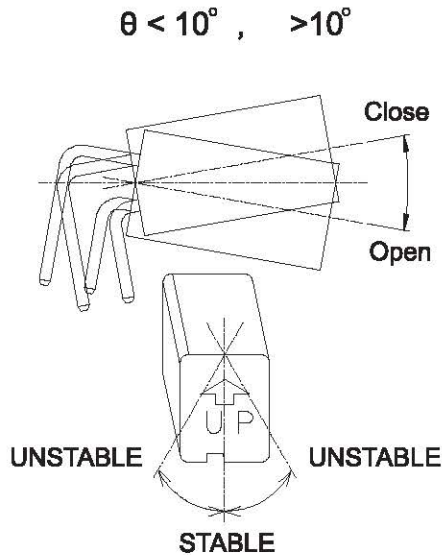
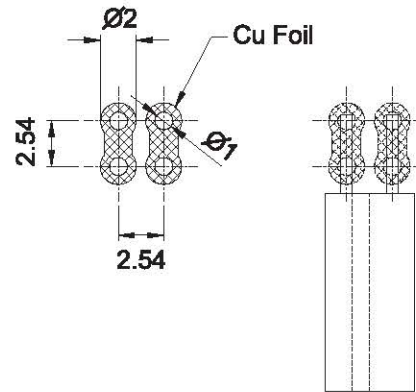


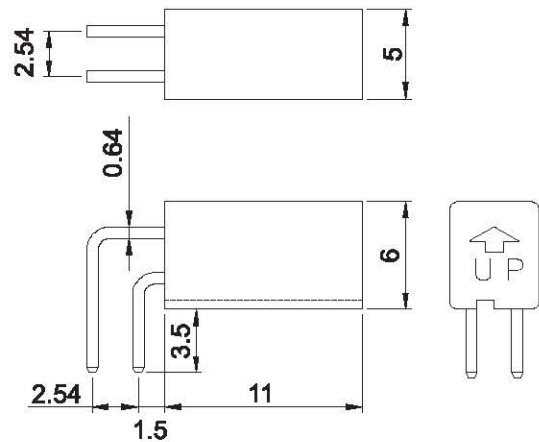
Below is our main specification if different from catalog.



P.C.B. LAYEROUT / TOP VIEW



RIGHT ANGLE TYPE



SPECIFICATION

ELECTRICAL

- CONTACT RATING: 25mA, 24V DC.
- CONTACT RESISTANCE
 - INITIAL: 5 Ω Max.
 - AFTER LIFE TEST: 10 Ω Max.
- DIFFERENTIAL ANGLE: REFER TO DRAWING.
- INSULATION RESISTANCE: 1,000m Ω Min. AT 100V DC.
- DIELECTRIC STRENGTH: 500V DC Min. For 1 Minute.
- CAPACITANCE: 5pF Max.

MECHANICAL AND ENVIRONMENTAL

TEMPERATURE RANGE

- OPERATING: -25°C To +70°C.
- STORAGE: -40°C To +85°C.

- PULL FORCE OF TERMINAL: 500g For 1 Minute.
- OPERATION LIFE: 100,000 Cycles.
- HUMIDITY: 95%RH, 40°C For 96Hrs.
- VIBRATION: PER MIL-STD-202F, METHOD 204D.
- SOLDERABILITY: AFTER FLUX 230 \pm 5°C For 5 \pm 0.5 sec
95% COVERAGE.

- SOLDERING HEAT RESISTANCE: 183°C SOLDERING TIN(63Sn/37Pb),
SOLDERING IRON 350 \pm 5°C,
3 sec Max.

MATERIAL

- BODY: GLASS-FIBER POLYAMIDE, UL 94V-0.
- COVER: GLASS-FIBER POLYAMIDE, UL 94V-0.
- TERMINAL: COPPER ALLOY, GOLD PLATED OVER NICKEL.
- CU-BALL: COPPER ALLOY, GOLD PLATED OVER NICKEL.

TOLERANCE: .XX= \pm 0.1mm, .X= \pm 0.2mm, X. = \pm 0.3mm.

STRUCTURAL DRAWING

