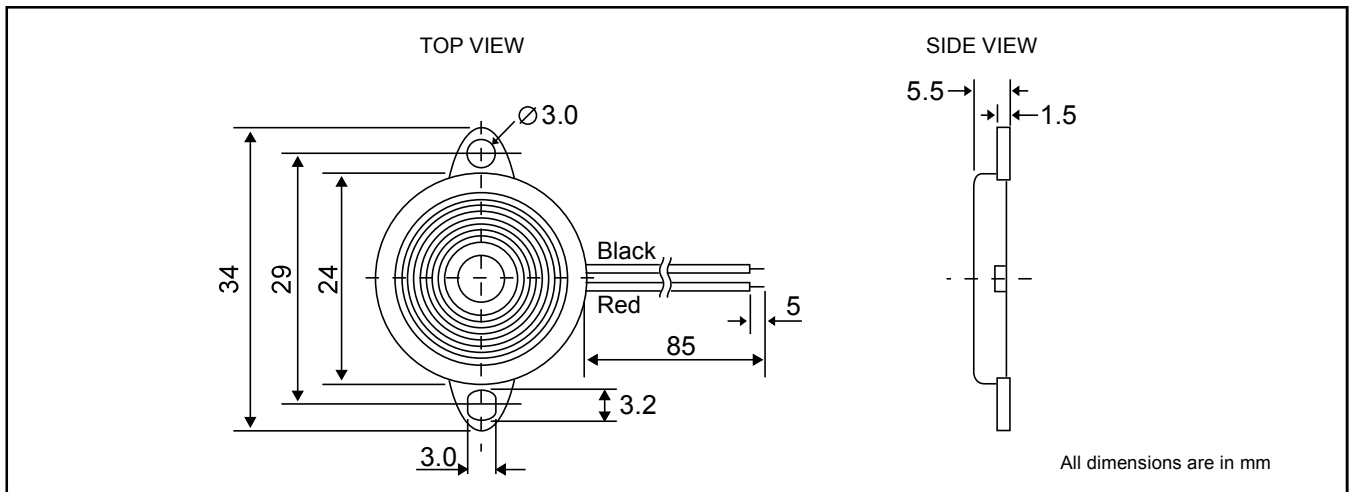




# SPL (Hong Kong) Limited

## External Drive Piezo Transducer SPT08 series

### DIMENSIONS



Ref.QS025, Non-RoHS

### ELECTRICAL SPECIFICATIONS

Model No.	PT08-Z185
Sound Pressure Level	85 dBA min. [12Vp-p Square Wave, 30cm, 4000Hz]
Capacitance	14000 pF +/- 30% at 120Hz
Max. Input Voltage	30V p-p
Operating Temperature □ [°C]	-20 ~ +60
Terminal	Wire - AWG#30-UL1007
Housing Material	ABS
Housing Colour	Black
Weight □ □ □ [gm]	5