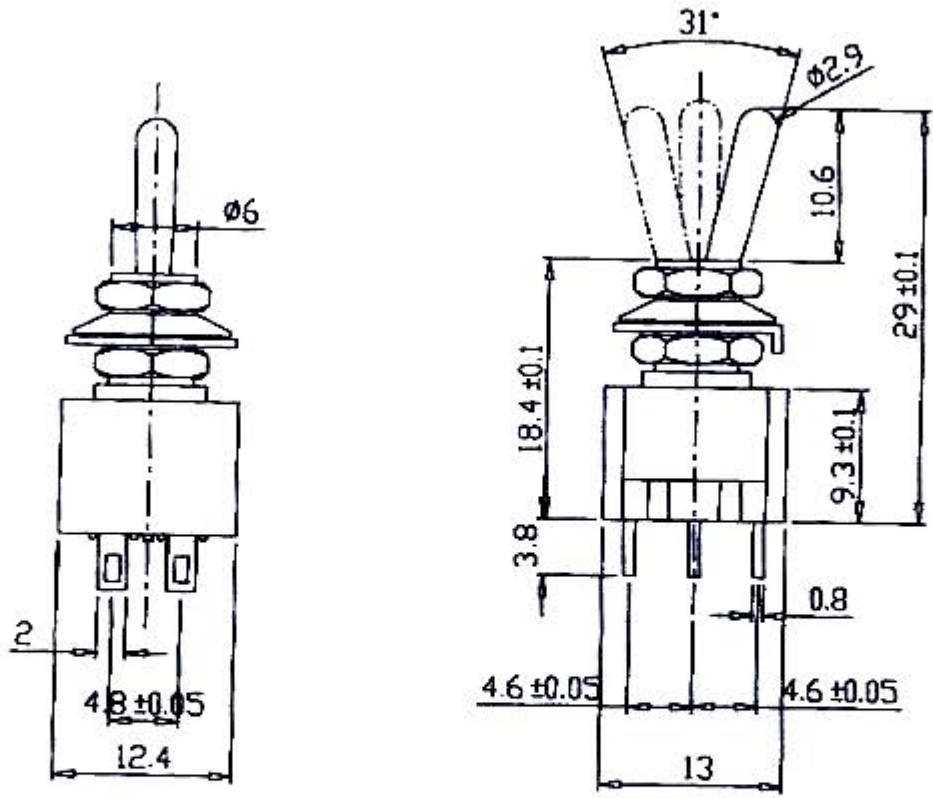


DIMENSIONS ARE IN MILLIMETERS

0.5-5 = +0.2
 5-30 = +0.4
 30-120 = +0.6
 120-315 = +1
 315-1000 = +1.6
 1000-2000 = +2.4



RoHS COMPLIANT

APPROVED BY :

UNITED AU-VI CO., LTD.

Description: TOGGLE SWITCH 6 PINS ON-OFF-ON

Part No.: ST-1062



NO.	DESCRIPTION	MATERIAL	FINISH	Q'TY

Date: / /

File No.: X1