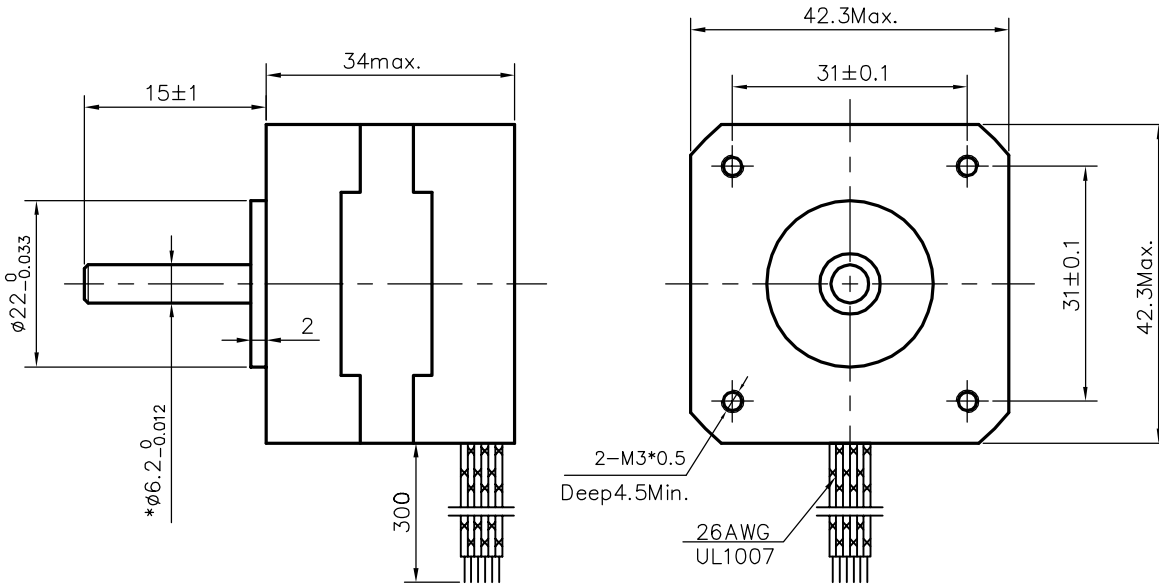


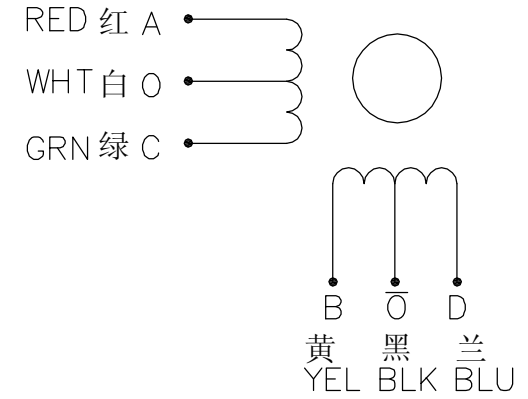
A B C D E F G H

CONTROL SIGNATURE:

Dimension:
Unit=mm



Wiring Diagram:



THE INFORMATION CONTAINED IN THIS DRAWING IS CONFIDENTIAL. COPYRIGHT

1
2
3
4
5
6

SPECIFICATIONS			
STEP ANGLE	1.8°±5%	VOLTAGE	5V
PHASES	4	CURRENT/PHASE	0.50A
INSULATION RESISTANCE	100MΩ(500V DC)	INDUCTANCE/PHASE	6 ±20% Mh
CLASS OF INSULATION	B	RESISTANCE/PHASE	10±10%Ω
WEIGHT	0.22Kg Max	HOLDING TORQUE	0.83Kgf.cm

SCALE	UNIT	mm
	SIZE	A4
DRAWN XUHEZHAO		
CHECKED		
APPROVED		

A	1ST ISSUE	111129
REV.	EPO#	DATE
DETAILS		
UNSPECIFIED TOLERANCE:		MERCURY MOTOR
MATERIAL		
FINISH		TITLE
		ST-42BYG0506H-4811
		SHEET 1 OF 1
		REV A
		DWG.NO.
		ST-42BYG0506H-1#