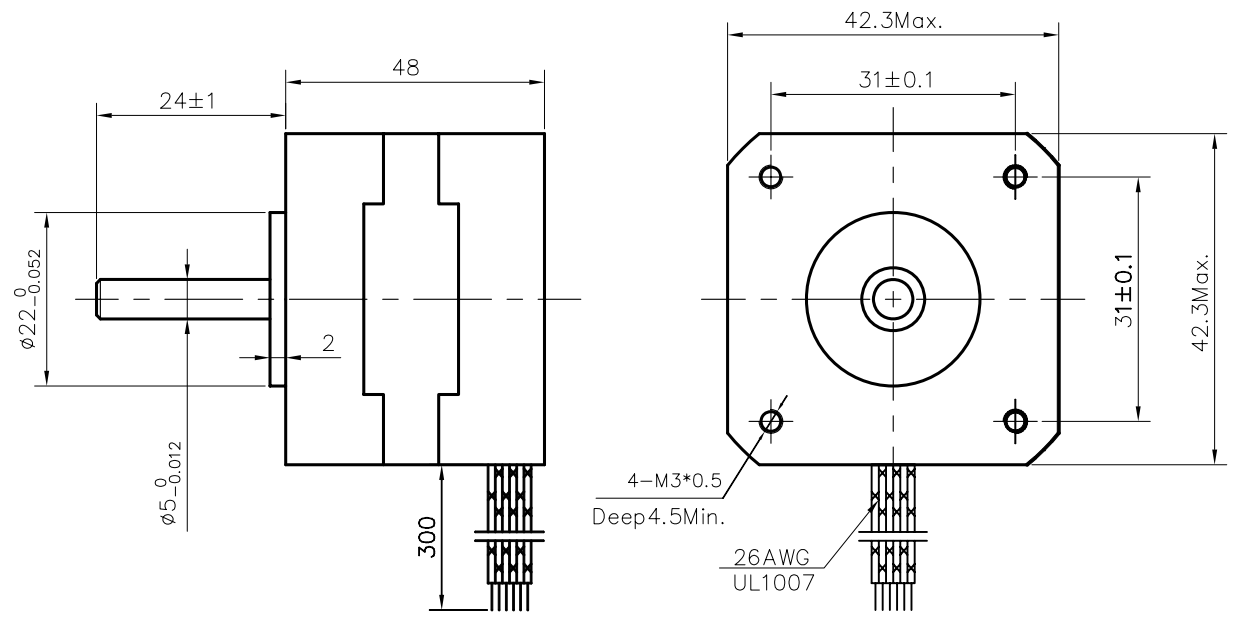


A B C D E F G H

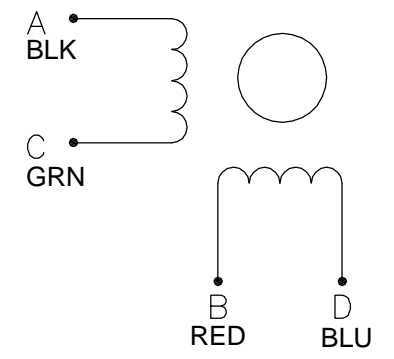
Dimension:
Unit=mm



CONTROL SIGNATURE:

Wiring Diagram:

参考資料



THE INFORMATION CONTAINED IN THIS DRAWING IS CONFIDENTIAL. COPYRIGHT

1
2
3
4
5
6

SPECIFICATIONS			
STEP ANGLE	0.9°±5%	VOLTAGE	5V
PHASES	2	CURRENT/PHASE	1.0A
INSULATION RESISTANCE	100MΩ(500V DC)	INDUCTANCE/PHASE	11.5 ±20% Mh
CLASS OF INSULATION	B	RESISTANCE/PHASE	5.0 ±10%Ω
WEIGHT	0.34Kg Max	HOLDING TORQUE	4.4Kgf.cm

SCALE	UNIT	mm
	SIZE	A4
DRAWN Luke Chen		
CHECKED		
APPROVED		

A		1ST ISSUE	131203
REV.	EPO#	DETAILS	DATE
UNSPECIFIED TOLERANCE:		MERCURY MOTOR	
MATERIAL		TITLE	
		ST-42BYH1004-5013	
FINISH		SHEET 1 OF 1	REV A
		DWG.NO.	
		ST-42BYH1004-128#	