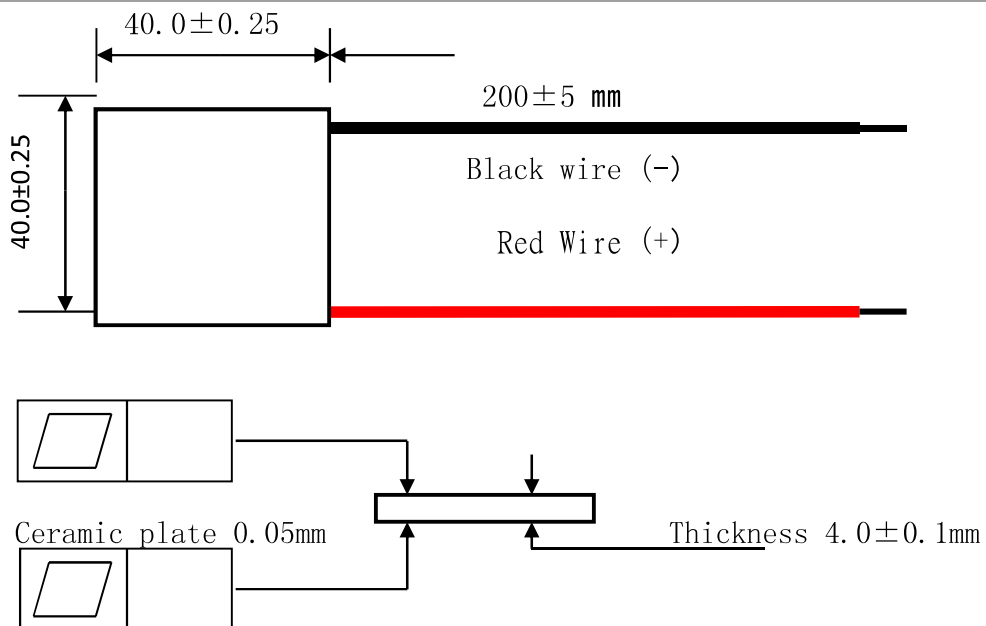


## Product specifications

|                            |   |
|----------------------------|---|
| <b>Part No:</b>            | TEC1-12706  |
| <b>Company Name</b>        |   |
| <b>Dimensions</b>          | Ref to tech drawing below   |
| <b>Ceramic Material</b>    | Alumina (Al <sub>2</sub> O <sub>3</sub> )   |
| <b>Solder Construction</b> | Bismuth Tin (BiSn)  |
| <b>Lead standard</b>       | PVC insulated 20AWG copper leads UL 1674 Length 200 ± 5mm<br>Max 105 °C Temp<br>Wire end stripping 5 ± 1mm soldered |
| <b>Resistance</b>          | Ambient temperature of 20 °C, 1.9-2.1 ohm 1KHZ vacuum state   |
| <b>Packaging standards</b> | Foam box packing 60 pieces per box.   |



Other requirements:

1. An operating temperature range: 55 °C to +80 °C
- 2 to the assembly under pressure: 60 lbs / sq in
3. 127 pairs of components
4. Maximum current: 6A
5. Maximum voltage: 15.4V DC
6. Maximum capacity of cold power: 51W (15.4V DC)
7. Resistance range: AC-R 1.9-2.1 environmental temperature of 20 °C 1KHZ
8. Components maximum temperature difference between  $T_{max}$  :  $\geq 66$  °C (Cooling power = 0:00)
9. The wire leads are soldered on the hot ceramic plate.
10. 20AWG UL 1674 105 °C standard tin-plated copper lead, PVC insulated wire.