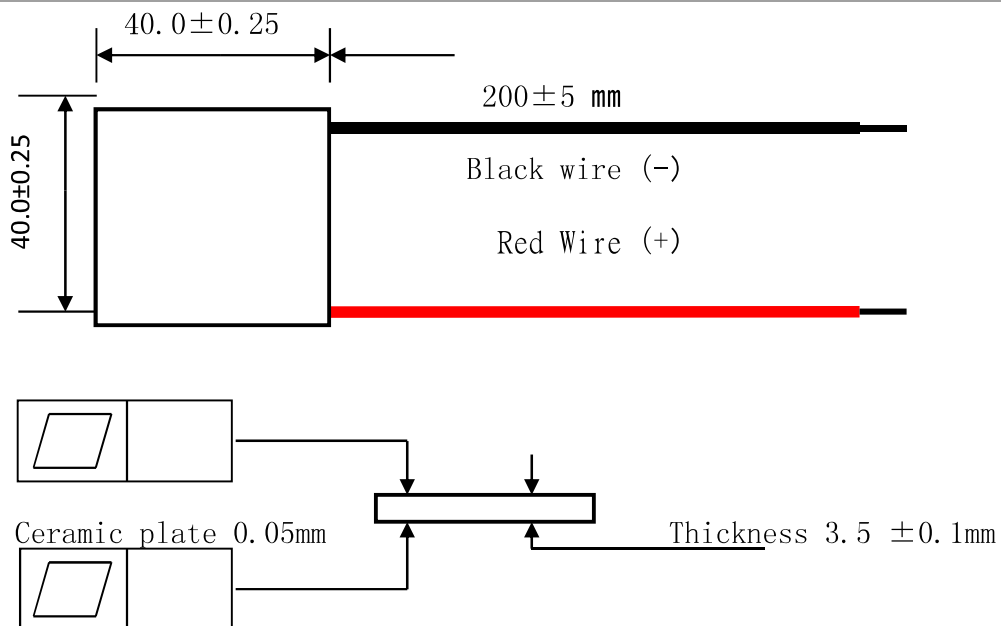


Product specifications

Part No:	TEC1-12708
Company Name	
Dimensions	Ref to tech drawing below
Ceramic Material	Alumina (Al ₂ O ₃)
Solder Construction	Bismuth Tin (BiSn)
Lead standard	PVC insulated 20AWG copper leads UL 1674 Length 200 ± 5mm Max 105 °C Temp Wire end stripping 5 ± 1mm soldered
Resistance	Ambient temperature of 20 °C, 1.9-2.1 ohm 1KHZ vacuum state
Packaging standards	Foam box packing 70 pieces per box.



Other requirements:

1. An operating temperature range: 55 °C to +80 °C
- 2 to the assembly under pressure: 60 lbs / sq in
3. 127 pairs of components
4. Maximum current: 8A
5. Maximum voltage: 15.4V DC
6. Maximum capacity of cold power: 76W (15.4V DC)
7. Resistance range: AC-R 1.4-1.6 environmental temperature of 20 °C 1KHZ
8. Components maximum temperature difference between T_{max} : ≥ 66 °C (Cooling power = 0:00)
9. The wire leads are soldered on the hot ceramic plate.
10. 20AWG UL 1674 105 °C standard tin-plated copper lead, PVC insulated wire.