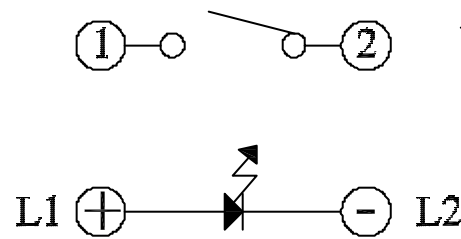
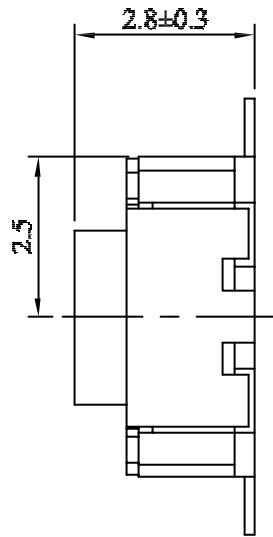
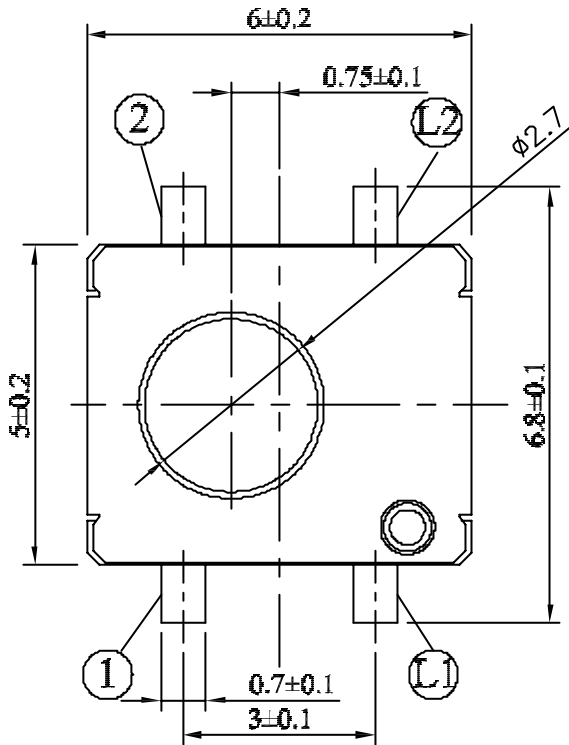
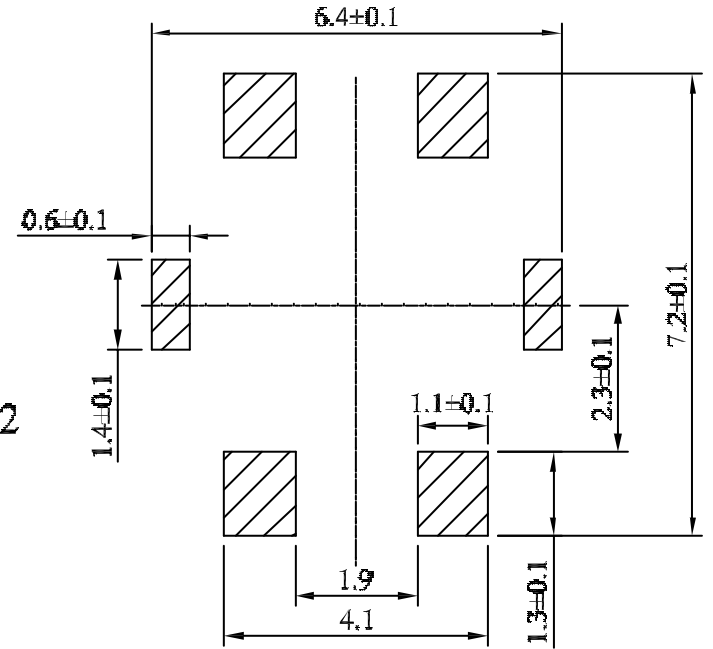


MODEL NAME	DIM H	LED COLOR	STEM COLOR	ACTUATING FORCE (gf)
TSHU-T-2.8T2-R	2.8	RED	TRANSPARENT	160±50
TSHU-T-2.8T2-Y		YELLOW		
TSHU-T-2.8T2-YGR		YELLOWGREEN		
TSHU-T-2.8T2-BL		BLUE		
TSHU-T-2.8T2-W		WHITE		



CIRCUIT DIAGRAM

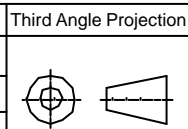


P.C.B mounting hole dimensions

NOTE:
1. THE RUST OF THE CUT-EDGE SURFACE AND THE MOTTLE ON THE MATERIAL IS ACCEPTABLE.

ROHS COMPLIANCE

CODE NO.	MODLE NAME			TSHU-T-2.8T2-W-6H							
PATH :	Switch\Tact Switch\Spec			DRAWING NO.		TS-140					
TOLERANCES		APPROVED SIGNATURES	DRAWN BY	CHECKED BY	APPROVED BY	SCALE	/	UNIT	m/m	VERSION	B
less than 6	±0.2		鐘學峰	余倩	鐘學峰						
6 - 18	±0.25										
18 - 50	±0.3										
50 - 125	±0.4										
angular dimension	±1°		2010.4.27	2010.4.27	2010.4.27						



△				Third Angle Projection
△				
②	2010.4.27	Zhong xue feng	做動力更改	
△	2009.4.17	Zhong xue feng	首次出圖	

可正欣有限公司
TOP-UP INDUSTRY CORP.