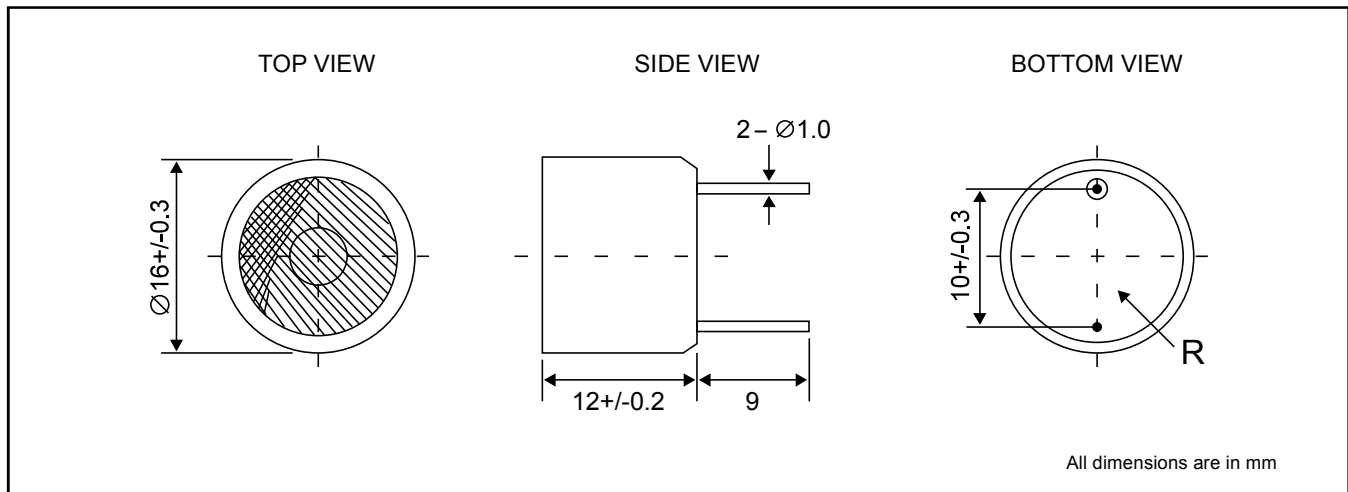




Ultrasonic Sensor SU1612 series

DIMENSIONS



Ref. no. : -

ELECTRICAL SPECIFICATIONS



Model No.	UR1612MPR
Construction	Open Structure
Function	Receiver
Center Frequency	[Hz] 40k +/- 1k
Overall Sensitivity	[dBA] - 65 min. [0dB = 1V/ubar]
Sound Pressure Level	[at 10Vrms, 30cm] --
-6dB Direction	[degree] 50 max.
Capacitance	[at 1kHz] 2400 pF +/- 25%
Max. Input Voltage	[Vp-p] --
Min. Detectable Range	[m] 0.2
Max. Detectable Range	[m] 4
Terminal	Pin
Housing Material	Aluminium
Colour	Silver
Operating Temperature	[°C] -30 ~ +85
Weight	[gm] 5