



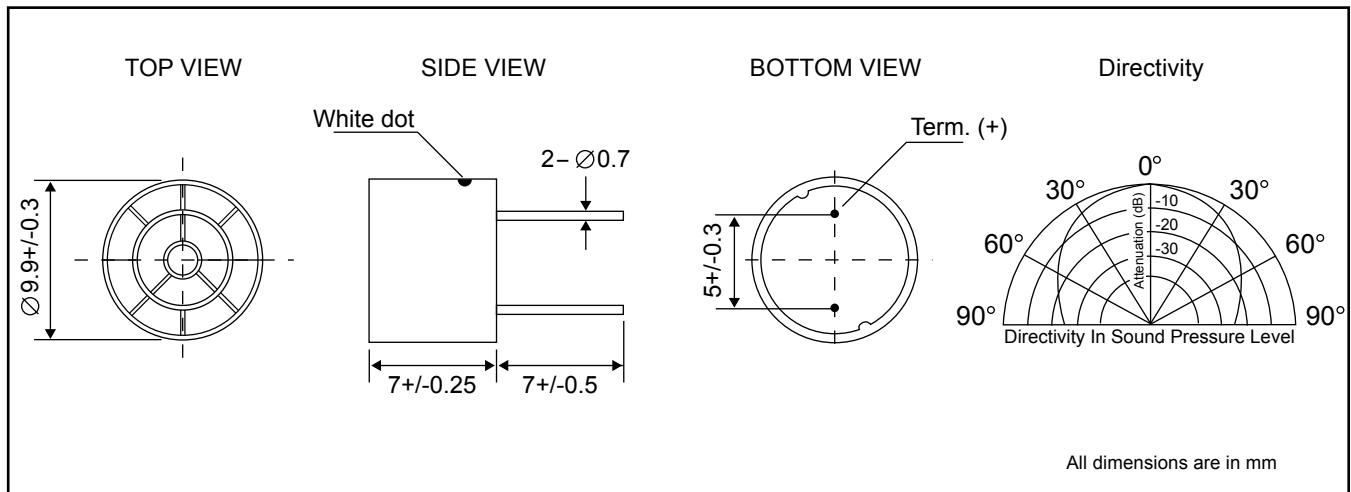
# SPL (Hong Kong) Limited

Rm 2507, 25/F, Prosperity Centre, 25 Chong Yip St., Kwun Tong, Kln., HK.  
Tel: 852-23426867 / 57 Fax: 852-23426847 Email: sales@spl-hk.com.hk  
www.buzzer.com.hk ; www.transducer.com.hk ; www.connector.com.hk

## Ultrasonic Sensor SU1007 series

### DIMENSIONS

Date : 6 Oct., 2010



Ref. no.: DR123-R

Remark: Sound test again after 2hrs load test (40kHz 10Vrms)



### ELECTRICAL SPECIFICATIONS

Model No.		UT1007-Z325R
Construction		Open Structure
Function		Transmitter
Center Frequency	[Hz]	40K +/- 1K
Overall Sensitivity	[dBA]	--
Sound Pressure Level	[at 10Vrms, 30cm]	116 dB min.
-6dB Direction	[degree]	80 max.
Capacitance	[at 1KHz]	2400 pF +/- 25%
Max. Input Voltage	[Vp-p]	70
Min. Detectable Range	[m]	0.2
Max. Detectable Range	[m]	10
Terminal		Pin
Housing Material		ABS
Colour		Black
Operating Temperature	[°C]	-20 ~ +80
Weight	[gm]	1