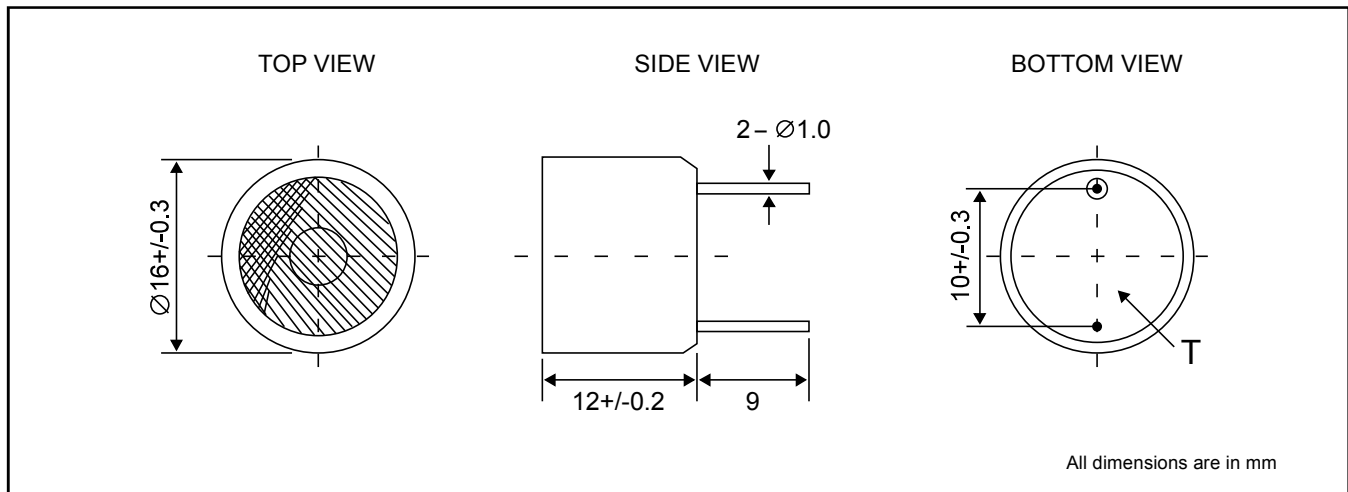




Ultrasonic Sensor SU1612 series

DIMENSIONS



Ref. no. : -



ELECTRICAL SPECIFICATIONS

Model No.		UT1612MPR
Construction		Open Structure
Function		Transmitter
Center Frequency	[Hz]	40k +/- 1k
Overall Sensitivity	[dBA]	--
Sound Pressure Level	[at 10Vrms, 30cm]	115 dB min. [0dB = 0.02mPa]
-6dB Direction	[degree]	50 max.
Capacitance	[at 1kHz]	2400 pF +/- 25%
Max. Input Voltage	[Vp-p]	20
Min. Detectable Range	[m]	0.2
Max. Detectable Range	[m]	4
Terminal		Pin
Housing Material		Aluminium
Colour		Silver
Operating Temperature	[°C]	-30 ~ +85
Weight	[gm]	5